

# EN Electric Treadmill

PL Bieżnia elektryczna

DE Elektrisches Laufband

CZ Elektrický běžecký pás

SK Elektrický bežecký pás

UA Електрична бігова доріжка

EN	2
PL	18
DE	34
CZ	52
SK	69
UA	86

# Gymio Run Flex

Model GMTF-S1-V01

EN Operating Instructions Manual

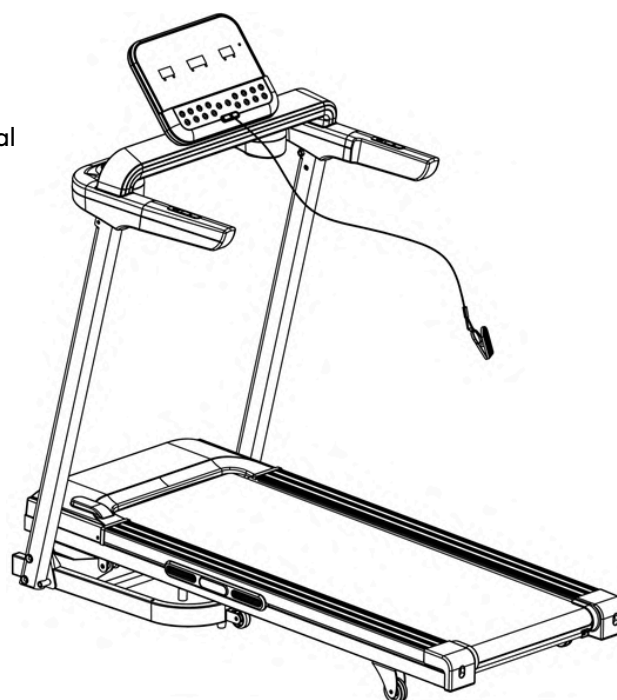
PL Instrukcja Obsługi

DE Betriebsanleitung

CZ Manuál k obsluze

SK Manuál na obsluhu

UA інструкція з експлуатації



[gymiosport.com/europe/](http://gymiosport.com/europe/)

v.24.01.02.GMTF-S1-V01



[fitshow.com/qr](http://fitshow.com/qr)

## Operating Instructions Manual

1. Before installation and operation, please read this operation manual carefully.
2. Please save this manual for future reference.
3. Product may vary slightly from the item pictures due to model upgrades.

# IMPORTANT SAFETY INSTRUCTIONS

**WARNING** - Read all instructions before using this treadmill. It is important your treadmill receives regular maintenance to prolong its useful life. Failing to regularly maintain your treadmill may void your warranty.

- **Danger:** To reduce the risk of electric shock, disconnect your treadmill from the electrical outlet prior to cleaning and/or service work.
- Do not use extension cords and use only the original power cord. Keep the power cord away from heat sources. Do not use the treadmill if the power cord or plug is damaged.
- The treadmill should be connected to a grounded electrical outlet with the appropriate voltage and current frequency.
- Make sure that the device is on a stable and level surface during use. The rear of the treadmill should be free of obstacles, maintain at least 1 meter of free space from any fixed objects.
- Do not block the rear of the treadmill. Provide a minimum of 1 meter clearance between the rear of the treadmill and any fixed object.
- Avoid using the treadmill on soft, thick carpets, as this can lead to damage to both the carpet and the equipment.
- Always have the plastic safety clip attached to your clothing while running, which will quickly stop the treadmill in case of a fall.
- Keep hands away from all moving parts.
- Never drop or insert any object into any openings.
- Never allow children and pets on or near the treadmill.
- Do not operate where aerosol spray products are being used or where oxygen is being administered. Sparks from the motor may ignite a highly flammable environment.
- The treadmill is intended for in-home use only and not suitable for long running.
- The treadmill is not intended for children – do not allow them near the device.
- While using the treadmill, wear appropriate athletic shoes.
- Use handrails provided; they are for your safety.
- The pulse sensors are not medical devices. Various factors, including the user's movement, may affect the accuracy of heart rate readings. The pulse sensors are intended only as exercise aids in determining heart rate trends in general.
- To disconnect, turn all controls to the off position, remove the safety key, and then remove the plug from the outlet.
- Allowed temperature: 5 to 40 degrees.
- **Remove the safety key after use to prevent unauthorized treadmill operation.**

## IMPORTANT ELECTRICAL INFORMATION

### **WARNING**

**NEVER use a ground fault circuit interrupt (GFCI) wall outlet with this treadmill. Route the power cord away from any moving part of the treadmill including the elevation mechanism and transport wheels.**

**NEVER operate treadmill on Generator or UPS power supply.**

**NEVER remove any cover without first disconnecting AC power.**

**NEVER expose this treadmill to rain or moisture. This treadmill is not designed for use outdoors, near a pool, or in any other high humidity environment.**

- **Warning:** This treadmill requires a right power source in order to properly operate. For your safety, as well as the safety of others, please verify that the power source is correct before plugging the equipment. Any incorrect power source could cause significant damage to the equipment and or user. The proper power source is **AC 220-240V 50-60Hz**.
- **Grounding methods:** This product must be grounded. Grounding provides the least resistance for electrical current and will reduce the risk of electric shock. **The plug must be plugged into an appropriate outlet that is properly installed and grounded in accordance with all local codes and ordinances.** Ensure that the product is connected to an outlet which contains the same configuration as the plug. **Do not use an adapter to connect the treadmill to an electrical outlet.**
- **Danger:** Improper connection of the equipment-grounding conductor can result in risk of electric shock. Check with a certified electrician if you are in doubt as to whether the product is properly grounded. Do not modify the plug provided with the product. If it will not fit the outlet, have a proper outlet installed by an electrician.

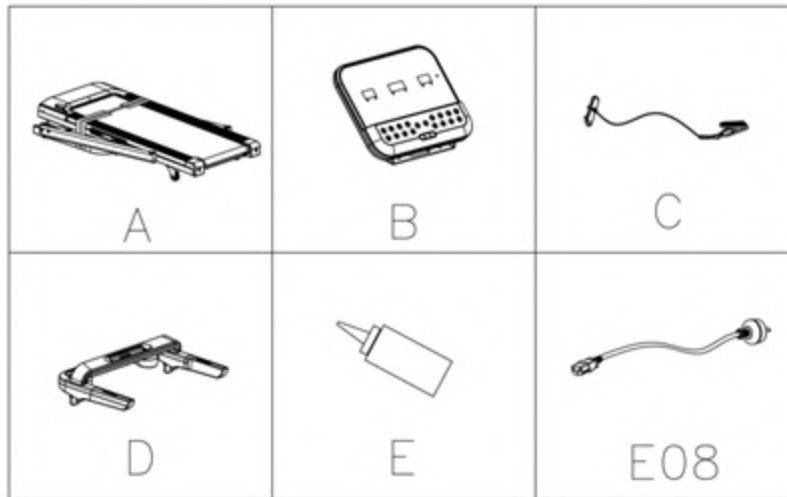
## IMPORTANT OPERATION INSTRUCTIONS

- Before first use, read and understand the entire operating manual.
- Insert the power plug into the socket directly, without using an extension cord.
- Use the treadmill for no more than 2 hours of running without a break.
- Understand that changes in speed and incline do not occur immediately. Set your desired speed on the computer console and release the adjustment key. The computer will obey the command gradually.
- Use caution while participating in other activities while walking on your treadmill; such as watching television, reading, etc. These distractions may cause you to lose balance or stray from walking in the Centre of the belt; which may result in serious injury.
- In order to prevent losing balance and suffering unexpected injury, NEVER mount or dismount the treadmill while the belt is moving. This unit starts with a very low speed. Simply standing on the belt during slow acceleration is proper after you have learned to operate this machine.
- Always hold on to the handrail while making control changes.

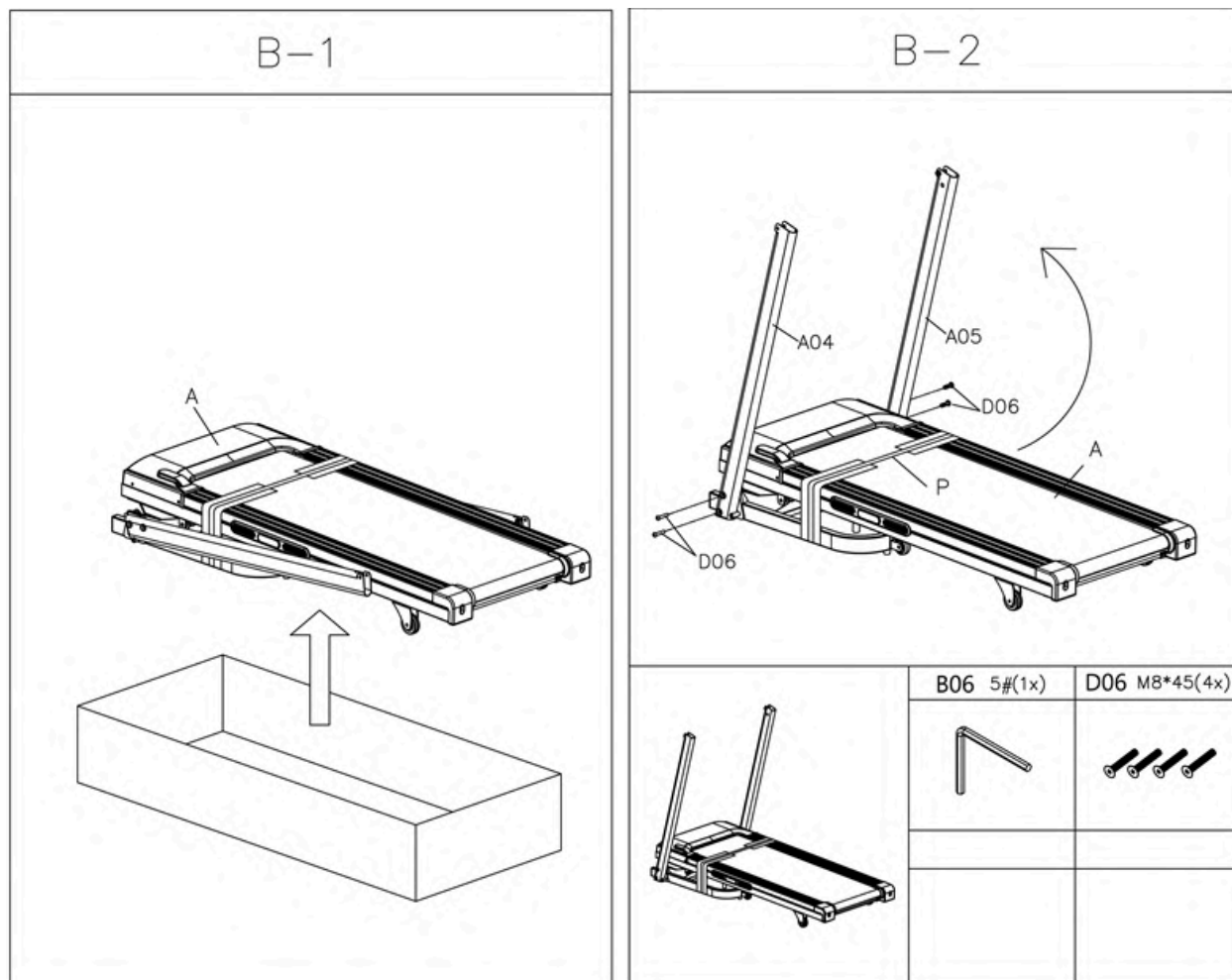
- A safety key is provided with this machine. Removing the safety key will stop the walking belt immediately; the treadmill will shut off automatically. Inserting the safety key will reset the display.
- Do not use excessive pressure on console control keys. They are precision set to function properly with little finger pressure.
- This appliance is not intended for use by persons (including children) with reduced physical, sensory or mental capabilities, or lack of experience and knowledge, unless they have been given supervision or instruction concerning use of the appliance by a person responsible for their safety, Children should be supervised to ensure that they do not play with the appliance.
- Before starting exercises, consult with a doctor to ensure that you have no health contraindications to exercising on the device. This is particularly important for people over the age of 35, those with chronic illnesses, and pregnant or breastfeeding women.
- In case of dizziness, excessive fullness, chest pain, or other concerning symptoms during exercise, immediately stop exercising and consult a doctor. Remember that excessive exercise can be dangerous for your health and life.
- Drink adequate water after taking exercises on our treadmill for more than 20 minutes.
- Remember to regularly lubricate the running belt.
- Do not exceed the maximum user weight rating for the device. Information about the maximum weight can be found on the device label.


## ASSEMBLY INSTRUCTIONS

When you open the carton, you will find the below parts:

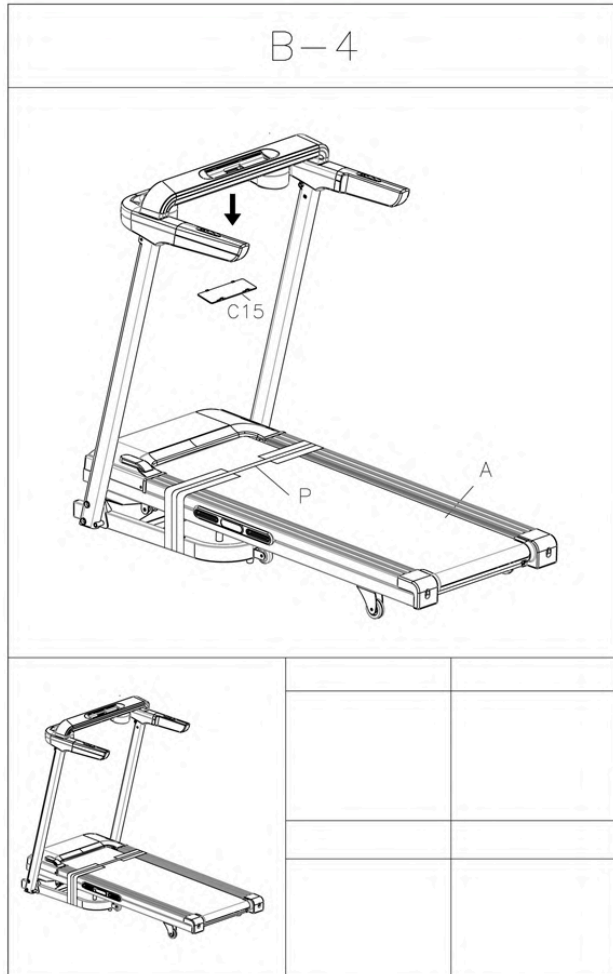
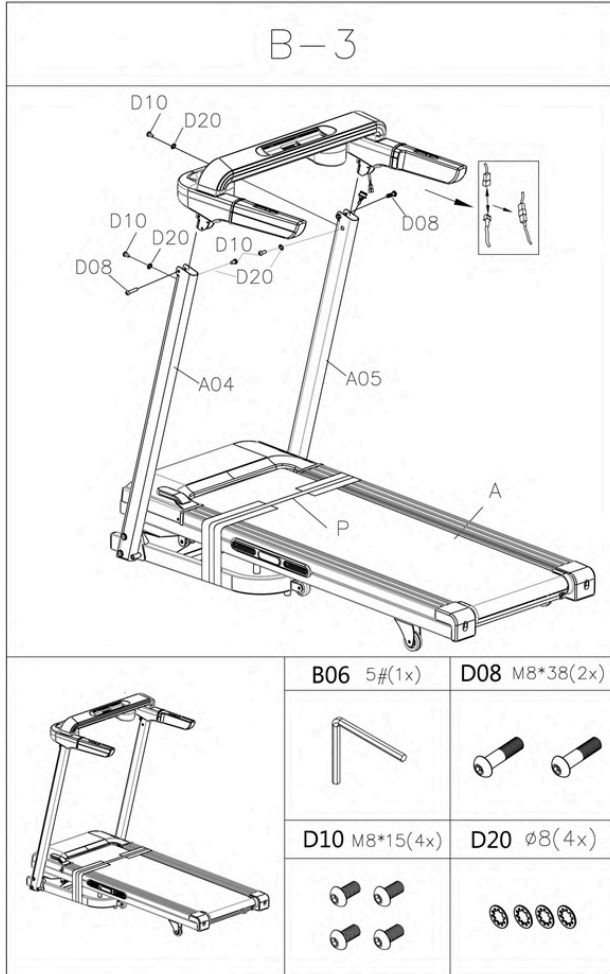


No.	Description	pcs.	No.	Description	pcs.
A	Main frame	1	D	Console	1
B	Computer	1	E	Lubricant oil	1
C	Safety key	1	E08	Power cord	1



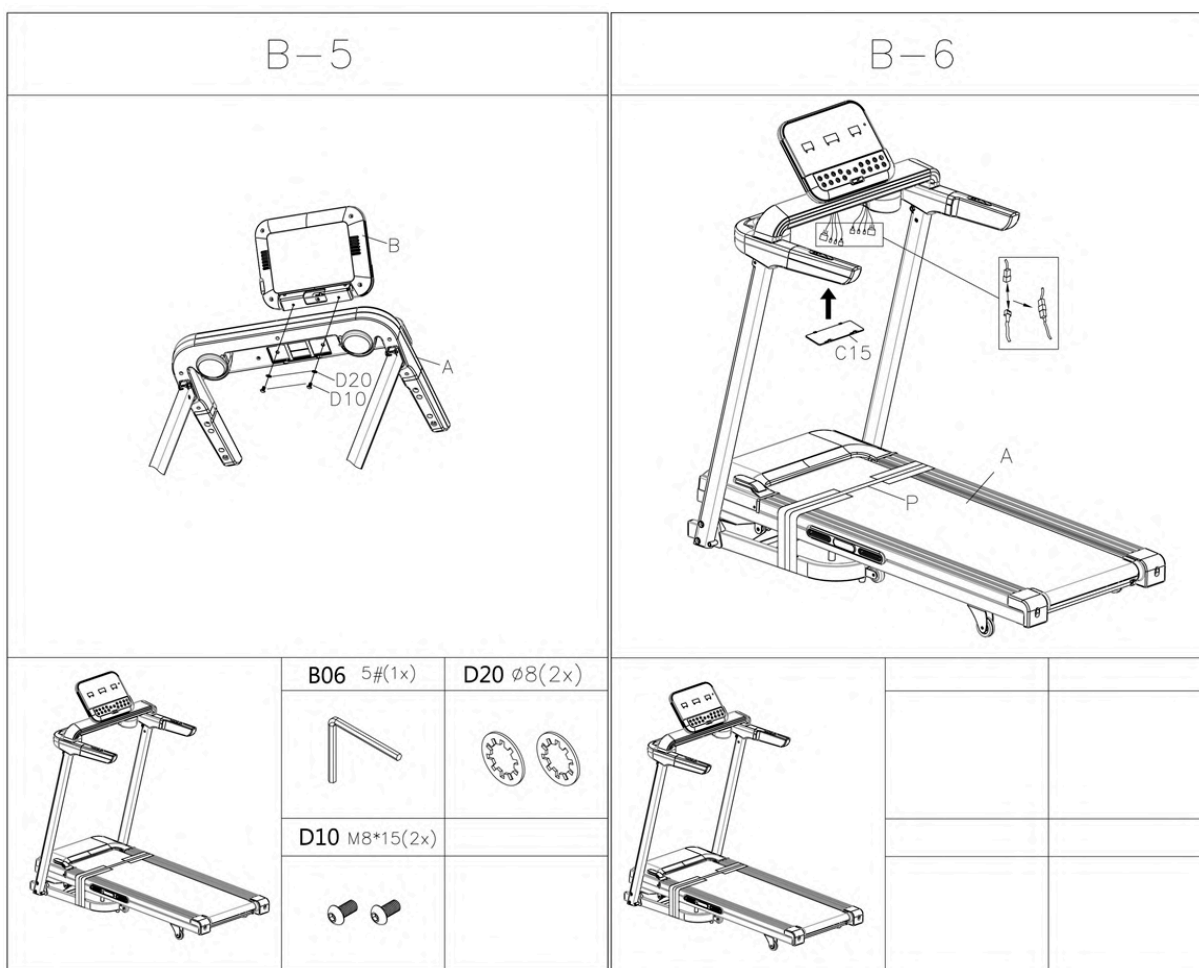
1. Place the box on a flat surface in the correct position as indicated by the sign .
2. Open the box and first take out the console (D) and computer (B) which are placed on top of the main frame (A).
3. Take the treadmill main frame (A) out of the box. This activity requires two people. When lifting, the treadmill columns (A04 & A05) may rotate and hit the floor. Secure them so they don't fall.

4. Lift the treadmill columns (A04, A05) and attach the columns using 4 screws (D06) using an Allen wrench (B06).



5. Hold the console (**D**) above the columns and make a **precise connection** of the wire coming out of the column to the wire under the console.  
**CAUTION!** This task requires two people.
6. After connecting the wires, **cut the cable tie** holding the wire coming out of the column and remove the tie.
7. Place the console (**D**) on the columns, ensuring **not to press or cut** the communication wire.
8. Attach the console (**D**) to the columns using 2 screws (**D08**) and 4 screws (**D10**) with washers (**D20**) with an Allen wrench (**B06**).

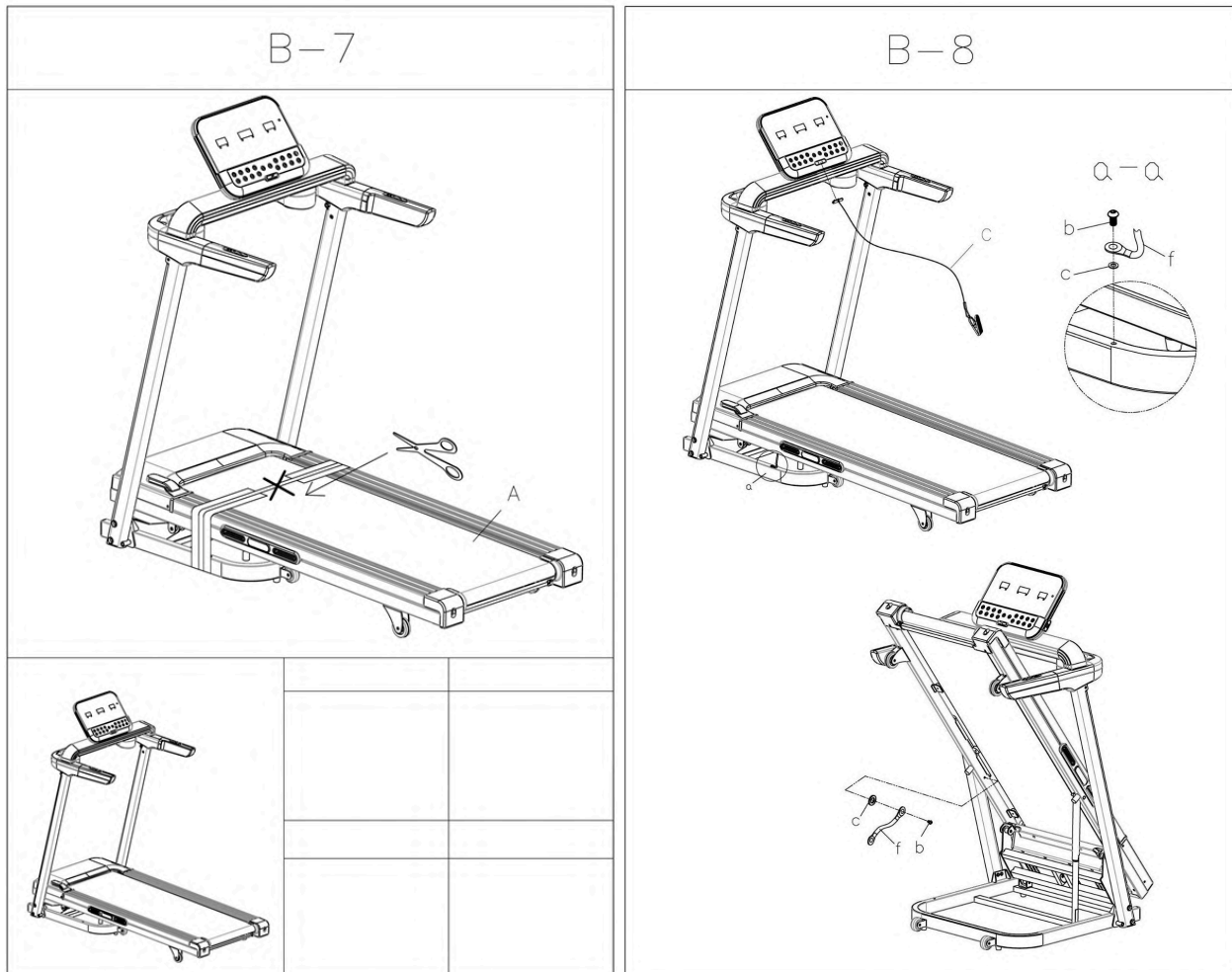
9. Remove the blanking plate (**C15**) in the console housing.



10. Place the computer (**B**) in the correct place in the console (**D**) and pass the cables from the computer (**B**) through the console so that they come out from the bottom of the console (**D**).
11. Attach the computer (**B**) to the console (**D**) using 2 screws (**D10**), and washers (**D20**) with an Allen wrench (**B06**).

12. **Precisely connect** all the wires coming out of the bottom of the computer (**B**) and from the console (**D**).
13. Attach the blanking plate (**C15**) to the console housing.



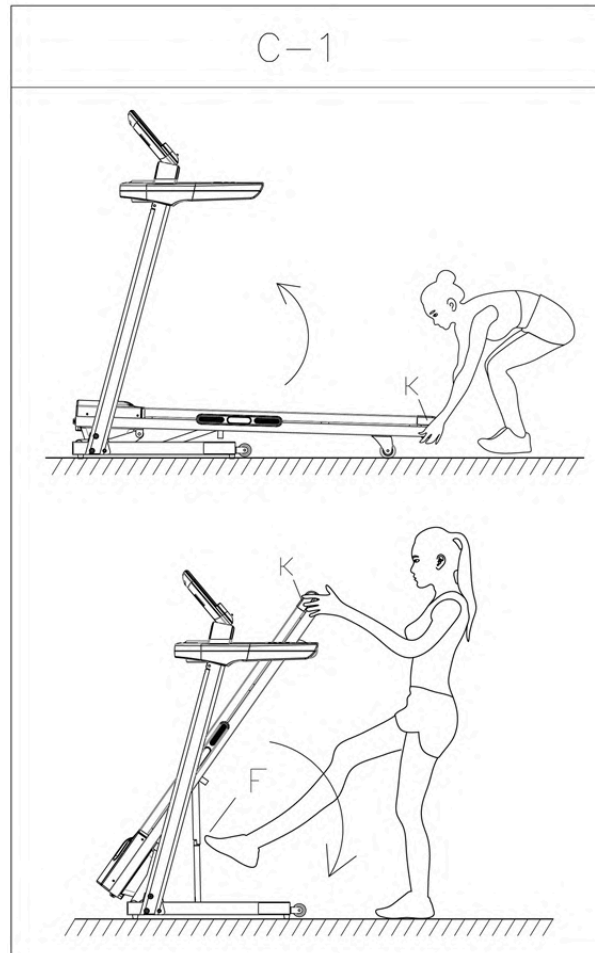


14. Remove the binding tape that connects the base to the running belt.

15. Unscrew the screw (**b**) connecting the treadmill base to the tape (**f**) blocking the lifting of the treadmill using an Allen wrench (**B06**).
16. Connect the power cord to the treadmill and the wall electric power outlet.
17. Perform the **lubrication of the running belt** as indicated in this instruction manual.
18. Place the magnetic safety key (**D**) in the console slot.  
**IMPORTANT!** Without the correct installation of the key (**D**), the treadmill will not operate.
19. **The treadmill is ready for training.**



# FOLDING INSTRUCTION



## Lifting the Running Belt

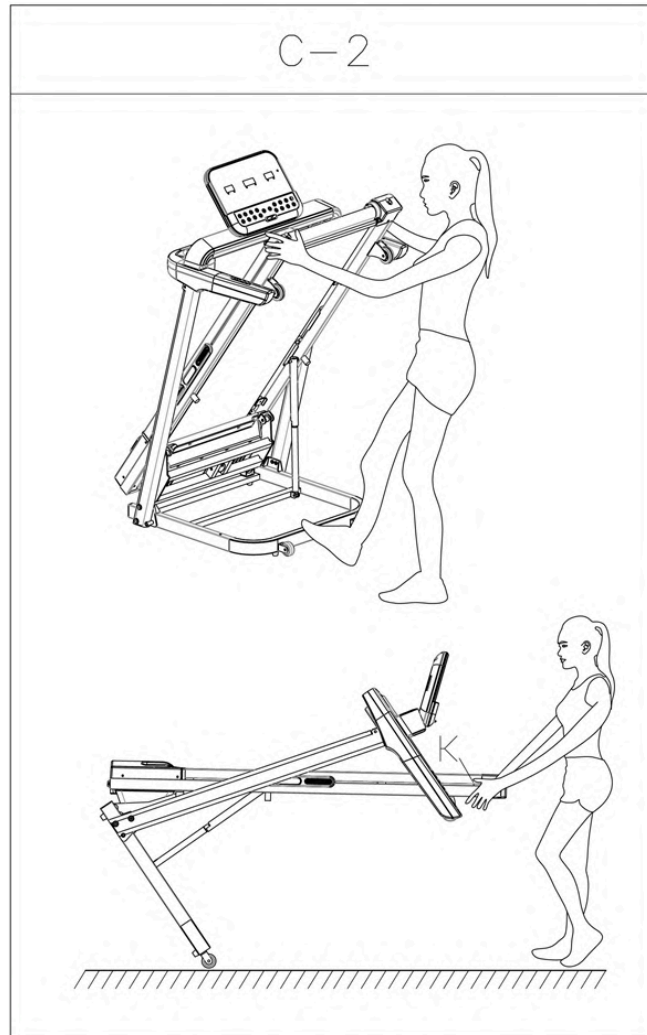
Lift the running belt (**K**) until the mechanism prevents it from falling locks into place. You will hear a clicking sound when it locks.

## Lowering the Running Belt

1. Lift the running belt (**K**) slightly and push the mechanism (**F**) with your foot to unlock it.
2. Press the running belt (**K**) downwards. The running belt will start to descend automatically.

**CAUTION!** Ensure that no other people, animals, or objects are nearby during the lowering of the treadmill.

# MOVING INSTRUCTION



1. Lift the running belt (**K**) as directed on the previous page. Hold down the base of the treadmill with your foot at the location marked on the illustration.
2. By pulling the running belt (**K**) towards you, rotate the treadmill to the position shown in the illustration. Be careful that the base of the treadmill does not move in the initial phase of rotation.

**CAUTION!** The treadmill is heavy, so before you start moving the treadmill, ensure that your physical capabilities allow for it.

# OPERATION GUIDE



## Button Functions:

1. INSTANT INCLINE: Press 3, 6, 9 to choose incline quickly.
2. INCLINE +: Press this button to increase the incline.
3. INCLINE -: Press this button to reduce the incline.
4. PROG: Press this button to choose between 9 programs and a body fat test.
5. START: Press this button to start the machine.
6. INSTANT SPEED: Press 3, 6, 9 to choose speed quickly.
7. STOP//PAUSE: Press this button to pause or stop the machine.
8. MODE: Press MODE button to choose between TIME, DISTANCE, CALORIES setting.
9. SPEED +: Press this button to increase the speed.
10. SPEED -: Press this button to reduce the speed.

## Media HUB:

1. Compatibility and the ability to connect with applications such as **FITSHOW, ZWIFT, KINOMAP** by **bluetooth**.

## Computer Functions:

1. **CAL./DIS.:** Switch Display the calories consumed and distance run every 5 seconds.
2. **INCLINE/TIME:** Switch Display the incline and the time has run every 5 seconds.
3. **SPEED/PULSE:** Switch display the current speed and user's heart rate. Press SPEED +/- to adjust the speed of the machine. Hold the hand pulse sensor by both hands, the computer will show the user's pulse value after about 5 seconds. This data is just for reference, and can not be regarded as medical use.
4. **MODE:** Press **MODE** button to enter TIME, DISTANCE, CALORIES setting.
  - Press SPEED +/- or INCLINE +/- to set the workout target value.
  - Press the START button, the treadmill will run after 3 seconds.
  - Press SPEED +/- and INCLINE +/- to adjust the speed and incline.
5. **PROGRAM:** Press **PROG** button, you can choose 9 programs and body fat.
  - 2.1. **Set of 9 built-in programs:** From standby mode, press PROG button, console will show 9 programs, select between 9 programs.
    - Press SPEED +/- or INCLINE +/- to set the workout time.
    - Each program can be divided into 10 sections; the machine will beep 3 times when starting a new section.
    - Press SPEED +/- or INCLINE +/- to change the speed or incline during each section.
    - Machine will beep 3 times and stop when the program is finished.

PROG.	TIME	TIME INTERVAL= setting time/10									
		1	2	3	4	5	6	7	8	9	10
P1	SPEED	1	2	3	3	1	2	2	3	2	2
	INCLINE	2	4	3	4	3	5	4	2	5	3
P2	SPEED	1	2	3	3	2	2	3	4	2	2
	INCLINE	2	5	4	6	4	6	4	2	4	2
P3	SPEED	1	2	2	3	1	2	2	2	2	1
	INCLINE	2	5	4	5	4	5	4	2	3	2
P4	SPEED	2	2	3	3	2	2	4	6	2	2
	INCLINE	3	6	7	5	8	5	9	6	4	3
P5	SPEED	1	2	4	3	2	2	4	5	2	1
	INCLINE	3	6	7	5	8	6	7	6	4	3
P6	SPEED	2	2	6	2	3	4	2	2	2	1
	INCLINE	2	8	6	4	5	9	7	5	4	3
P7	SPEED	4	5	6	6	9	9	10	12	6	3
	INCLINE	2	6	7	4	4	7	4	2	4	2
P8	SPEED	3	5	4	4	3	4	4	3	3	2
	INCLINE	2	4	6	8	7	8	6	2	3	2

P9	SPEED	3	5	3	4	2	3	4	2	3	2
	INCLINE	2	4	5	5	6	5	6	3	3	2

2.2. **Body fat test:** From standby mode, press the PROG button until you get to FAT.

- Press the MODE button to enter information.
- Set value with SPEED +/- or INCLINE +/- from F-1 to F-4 (F-1 GENDER, F-2 AGE, F-3 HEIGHT, F-4 WEIGHT)
- Press MODE button to enter F-5 (F-5 BODY FAT TEST), hold hands on the hand pulse sensor, the console will display your body fat value after 3 seconds.
- The body fat value is intended as a guide, and is not medical data:

F-1	Gender	01 male	02 female
F-2	Age	10-99	
F-3	Height	100-200 cm	
F-4	Weight	20-150 kg	
F-5	FAT	≤ 19	Underweight
		=(20---25)	Normal weight
		=(26---29)	Overweight
		≥ 30	Obesity

## Other Functions:

### Hand Pulse Function:

Hold on the pulse sensor for about 5 seconds, the screen will show the user's pulse value. This data is just for reference, and cannot be regarded as medical data.

### Lubrication Remind Function:

This machine has a lubrication reminder function. After every total running distance of 300km, your treadmill needs to be maintained with oil. The system will remind with sound for every 10 seconds, and the window will show "OIL". This means that your treadmill needs to be lubricated with oil. Lubricate the running belt according to the next section of this manual. After you finish lubrication, please hold on "STOP" button for 3 seconds, and the system warning sound will disappear.

### Energy Saving Function:

To reduce energy consumption, this treadmill will enter into sleeping mode if without any operation for 10 minutes. The screen will give a reminder before entering into sleeping mode. Once the machine enters sleeping mode, please take off the safety key and insert again to awaken the system.

### Error Reminding:

If the treadmill displays any error information, first refer to the TROUBLESHOOTING section of the manual.

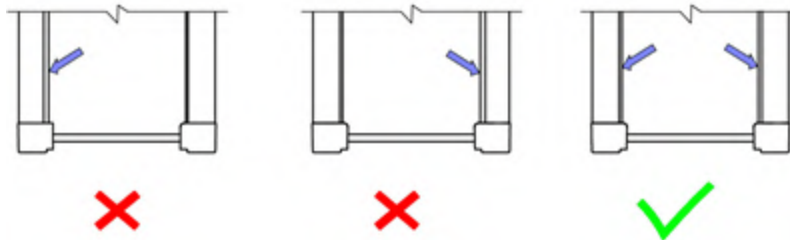
## MAINTENANCE & CARE

Cleaning will help prolong the life and performance of your treadmill. Keep the unit clean and maintained by dusting the components on a regular basis. Clean both sides of the running belt to prevent dust from accumulating underneath the belt. Keep your running shoes clean so that dirt from your shoes does not wear out the running board and belt. Clean the surface of the running belt with a clean damp cloth.

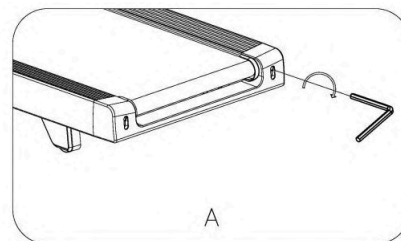
1. To better maintain the treadmill and prolong its life it is suggested that the machine be powered off for 10 minutes every 2 hours of use and fully powered off whenever not in use.
2. A loose Running Belt will result in the runner sliding off when running, while too tight of a Running Belt will result in decrease to the motors performance and also create more friction between the roller and running belts. The optimal tension of the running belt is when it can be manually pulled out 50-75 mm from the deck.

### Centering the Running Belt:

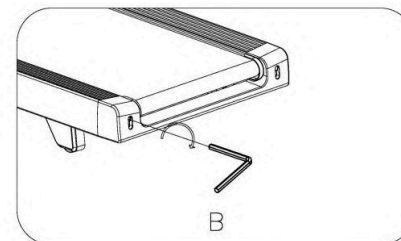
Place the treadmill on level ground and set it at 6-8 kph to check if the running belt is centered. The belt is centered if the distances from the right and left sides of the running belt to the side elements are equal.



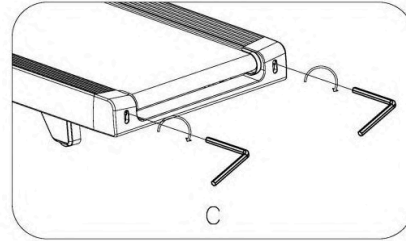
1. If the **Running Belt** moves to the **right**, turn the adjusting bolt on the right side  $\frac{1}{4}$  turn clockwise, then turn the left adjustment bolt  $\frac{1}{4}$  turn counter-clockwise. If the belt does not move, repeat this step until it centers. Refer to figure A.



2. If the **Running Belt** moves to the **left**, turn the adjusting bolts on the left side  $\frac{1}{4}$  of a turn clockwise, then turn the right adjustment bolt  $\frac{1}{4}$  turn counter-clockwise. If the belt does not move, repeat this step until it centers. Refer to figure B.



3. Over time the **Running Belt** will **loosen**. To tighten the belt turn the Left & Right side adjustment bolts one full turn clockwise, check the tension of the belt. Continue this process until the belt is at the correct tension. Make sure to adjust both sides equally to ensure correct belt alignment. Refer to figure C.



## LUBRICATING THE TREADMILL

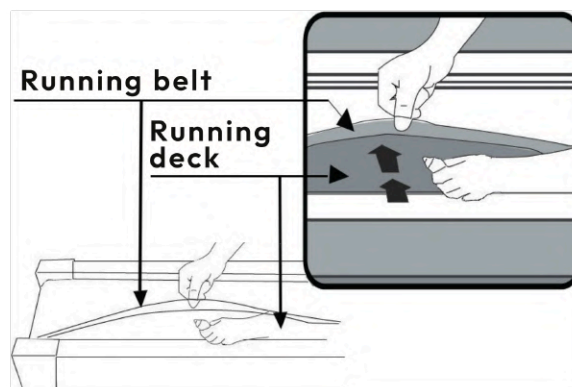
**Important note:** You will need to lubricate your treadmill before the first use.

**Running belt & treadmill lubricant:** Lubricating the running board and running belt is essential as the friction between the two affects the lifespan and function of the treadmill, therefore it is suggested that the running board and belt be inspected regularly.

**Warning:** Always unplug the treadmill from the electrical outlet before cleaning, lubricating or repairing the unit.

### How to Lubricate:

1. Lift the running belt on one side and apply lubricant to the running deck. Repeat this process for the other side of the running belt. Ensure that the **lubricant reaches under the center of the running belt**. Turn on the treadmill and set it to a speed of 3 km/h for 5 minutes to distribute the lubricant. The correct amount of lubricant used for one lubrication is **approximately 4 ml**, i.e. the 20 ml tube included in the set should be enough for 5 lubrications.
2. The moving parts should turn freely and quietly. Abnormality of moving parts will affect the safety of the equipment. Inspect and tighten bolts regularly.
3. To better maintain the treadmill and prolong its lifespan, it is suggested that maintenance be done on a regular basis.





**The following time table is recommended:**

Light user (less than 3 hours/ week) - every six months

Medium user (3-5 hours/ week) - every three months

Heavy user (more than 5 hours/ week) - every two months

## TECHNICAL DATA

Model Name:	Gymio Run Flex
Power Supply:	AC 220-240V 50-60Hz
Motor Type:	DC
Peak Power:	1.75 HP (1290 W)
Continuous Power:	1.0 HP (750 W)
Inclination Adjustment:	Automatic Electronically Controlled
Incline Levels:	12 Levels - Maximum Incline 10%
Running area:	132 x 42 cm
Netto weight:	58 kg
Brutto weight:	67 kg
Application Class:	Class H
Accuracy Class:	Class A
Speed:	0.8 - 14 km/h
Standards and Certifications:	CE, EN ISO 20957-1:2013, EN 957-6:2010 + A1:2014
Intended Use:	Electric Treadmill for Home Use
Maximum User Weight:	100 kg

# TROUBLESHOOTING

PROBLEM	POSSIBLE CAUSE	SUGGESTED ACTION
Treadmill will not start	Not plugged in.	Plug cord into outlet.
	Safety Key not inserted.	Insert Safety Key.
Running belt not centered	Running belt tension not correct on the left or right sides of the running board.	Center the running belt according to this instruction.
Computer not working	Wires from the computer and the console board are not properly connected.	Check wire connections from the computer to the control board.
	Transformer is damaged.	If the transformer is damaged, contact customer service.
E01 or E13: Message failure	Wires from the computer and the console board is not properly connected.	Check wire connections from the computer to the consol board. If it is correct and the problem still occurs, contact customer service.
E02: Burst clash protection	Incoming voltage is lower than 50% of the required voltage.	Check that the incoming power supply is the correct voltage.
E03: No speed sensor signal	Speed sensor signal cannot be received by the control board.	Check that the sensor wire is properly connected. If it is correct and the problem still occurs, contact customer service.
E04: Incline failure	The incline motor is damaged or the wire for the incline motor is not connected properly or has become damaged.	Check all wire connections made during the initial assembly, and if the problem still persists, contact customer service.
E05: Current overload protection (Self Protecting System)	The incoming voltage is too low or too high.	Restart the treadmill. Check the incoming voltage to ensure it's correct.
	A moving part of the treadmill is stuck and therefore the motor is unable to rotate properly.	Inspect moving parts of the treadmill to ensure that they are operating correctly. Verify that the user's weight does not exceed the limit.
E06: Motor Abnormality	The motor wire is not connected or the motor is damaged.	Check all wire connections made during the initial assembly, and if the problem still persists, contact customer service.
E08: Control Board Abnormality	The control board is not connected.	Check all wire connections made during the initial assembly, and if the problem still persists, contact customer service.
E10: Motor Abnormality	The motor is damaged or a moving part of the treadmill is stuck and therefore the motor is unable to rotate properly.	Inspect moving parts of the treadmill to ensure that they are operating correctly. Verify that the user's weight does not exceed the device's allowable limit.

## Instrukcja Obsługi

1. Przed instalacją i uruchomieniem bieżni uważnie przeczytaj instrukcję obsługi.
2. Po uruchomieniu bieżni zachowaj instrukcję.
3. Produkt może nieznacznie różnić się od przedstawionego na zdjęciach z powodu aktualizacji modelu.

# INSTRUKCJA BEZPIECZEŃSTWA

**UWAGA** - Przed użyciem bieżni przeczytaj uważnie instrukcję obsługi. Instrukcja zawiera informacje dotyczące bezpieczeństwa, użytkowania oraz konserwacji urządzenia. Poprawne korzystanie ze sprzętu oraz jego konserwacja wydłużają żywotność produktu i są podstawą do utrzymania ważności gwarancji.

- **Ostrzeżenie:** Aby uniknąć ryzyka porażenia elektrycznego, przed przystąpieniem do czyszczenia lub prac konserwacyjnych, należy zawsze odłączyć bieżnię od źródła zasilania.
- Nie stosuj przedłużaczy i używaj oryginalnego przewodu zasilającego. Przewód zasilający trzymaj z daleka od źródeł ciepła. Nie używaj bieżni, jeśli przewód zasilający lub wtyczka są uszkodzone.
- Bieżnia powinna być podłączona do uziemionego gniazda elektrycznego o odpowiednim napięciu i częstotliwości prądu.
- Upewnij się, że urządzenie stoi na stabilnej i równej powierzchni podczas użytkowania. Tył bieżni powinien być wolny od przeszkód, zachowaj co najmniej 1 metr wolnej przestrzeni od wszelkich stałych obiektów.
- Unikaj użytkowania bieżni na miękkich, grubych dywanach, ponieważ może to prowadzić do uszkodzenia zarówno dywanu, jak i sprzętu.
- Podczas biegu zawsze miej przypięty do ubrania plastikowy klips bezpieczeństwa, dzięki któremu w razie upadku bieżnia szybko się zatrzyma.
- Nie dotykaj ruchomych części sprzętu.
- Nie wkładaj obcych przedmiotów do żadnych otworów w urządzeniu.
- Nie korzystaj z bieżni w miejscach, gdzie używane są produkty w aerozolu lub podawany jest tlen, aby uniknąć ryzyka zapłonu od iskier silnika.
- Bieżnia jest przeznaczona wyłącznie do użytku domowego i nie jest odpowiednia do ciągłego, długotrwałego biegania
- Bieżnia nie jest przeznaczona dla dzieci i zwierząt – nie dopuszczaj ich w pobliżu urządzenia.
- Podczas korzystania z bieżni używaj odpowiedniego obuwia sportowego.
- Korzystaj z dostarczonych poręczy – zapewniają one dodatkowe bezpieczeństwo.
- Czujniki pomiaru tętna nie są urządzeniami medycznymi i mogą nie zapewniać dokładnych pomiarów. Służą wyłącznie jako wsparcie w monitorowaniu ogólnych trendów tętna.
- Aby wyłączyć urządzenie, przekręć wszystkie przełączniki w pozycję "OFF", wyjmij klucz bezpieczeństwa, a następnie odłącz wtyczkę od gniazdka.
- Temperatura otoczenia, w której urządzenie może być używane, to 5–40°C.
- **Po zakończeniu użytkowania bieżni wyjmij klucz bezpieczeństwa, aby zapobiec przypadkowemu uruchomieniu urządzenia.**

## WAŻNE INFORMACJE ELEKTRYCZNE

### UWAGA

**NIE** podłączaj bieżni do gniazda z zabezpieczeniem różnicowoprądowym, upewnij się, że kabel zasilający jest poprowadzony z dala od ruchomych części bieżni, w tym od mechanizmu zmiany nachylenia i kółek transportowych.

**NIE** zasilaj bieżni generatorem prądotwórczym lub zasilaczem UPS.

**NIE** zdejmuj obudowy urządzenia, jeśli nie zostało ono wcześniej odłączone od prądu przemiennego (AC).

**NIE** narażaj bieżni na działanie deszczu lub wilgoci. Urządzenie to nie jest przeznaczone do użytkowania na zewnątrz pomieszczeń, w okolicy basenów ani w innych miejscach o wysokiej wilgotności.

- **Ostrzeżenie:** Bieżnia, do prawidłowego działania, wymaga odpowiedniego źródła zasilania. Dla Twojego bezpieczeństwa, jak również bezpieczeństwa innych osób, upewnij się przed podłączeniem urządzenia, że źródło zasilania jest odpowiednie. Nieprawidłowe źródło zasilania może spowodować poważne uszkodzenia sprzętu lub użytkownika. Właściwe źródło zasilania to **AC 220-240V 50-60Hz**.
- **Sposób uziemienia:** Urządzenie wymaga uziemienia elektrycznego. Podłączenie do poprawnie wykonanego uziemienia zmniejsza ryzyko porażenia prądem w sytuacji awaryjnej. **Wtyczka musi być podłączona do odpowiedniego gniazdka, które jest prawidłowo zainstalowane i uziemione zgodnie z wszystkimi lokalnymi przepisami i regulacjami.** Upewnij się, że produkt jest podłączony do gniazdka, które ma taką samą konfigurację jak wtyczka. **Nie używaj do podłączenia bieżni adaptera do gniazda elektrycznego.**
- **Ostrzeżenie:** Nieprawidłowe podłączenie przewodu uziemiającego urządzenia może powodować ryzyko porażenia prądem. W przypadku wątpliwości, czy produkt jest właściwie uziemiony, skonsultuj się z certyfikowanym elektrykiem. Nie modyfikuj wtyczki dostarczonej z produktem. Jeśli nie pasuje do gniazdka, zleć elektrykowi montaż odpowiedniego gniazdka.

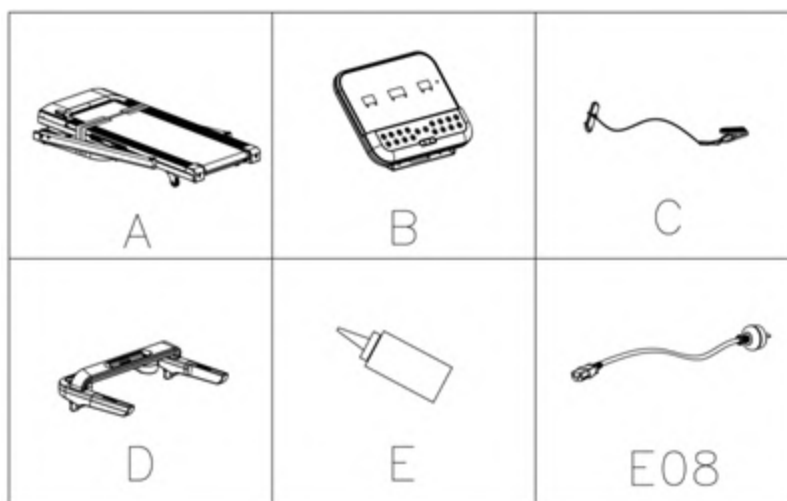
## PODSTAWY UŻYTKOWANIA BIEŻNI

- Przed pierwszym użyciem zapoznaj się z całą instrukcją obsługi.
- Podłącz wtyczkę bieżni bezpośrednio do gniazdka elektrycznego, bez użycia przedłużacza.
- Używaj bieżni przez nie więcej niż 2 godziny bez przerwy.
- Pamiętaj, że zmiany prędkości i kąta nachylenia nie następują natychmiast. Ustaw pożądaną prędkość za pomocą konsoli i zwolnij klawisz regulacji. Bieżnia stopniowo dostosuje się do ustawień.
- Bądź ostrożny podczas wykonywania innych czynności, takich jak oglądanie telewizji czy czytanie, podczas korzystania z bieżni. Rozproszenie uwagi może spowodować utratę równowagi lub zejście z centralnej części pasa biegowego, co może prowadzić do poważnych urazów.
- Aby uniknąć upadku i nieoczekiwanych obrażeń, nigdy nie wchodź ani nie schodź z bieżni, gdy pas jest w ruchu. Rozpocznij ćwiczenia od bardzo wolnej prędkości, stojąc na pasie.

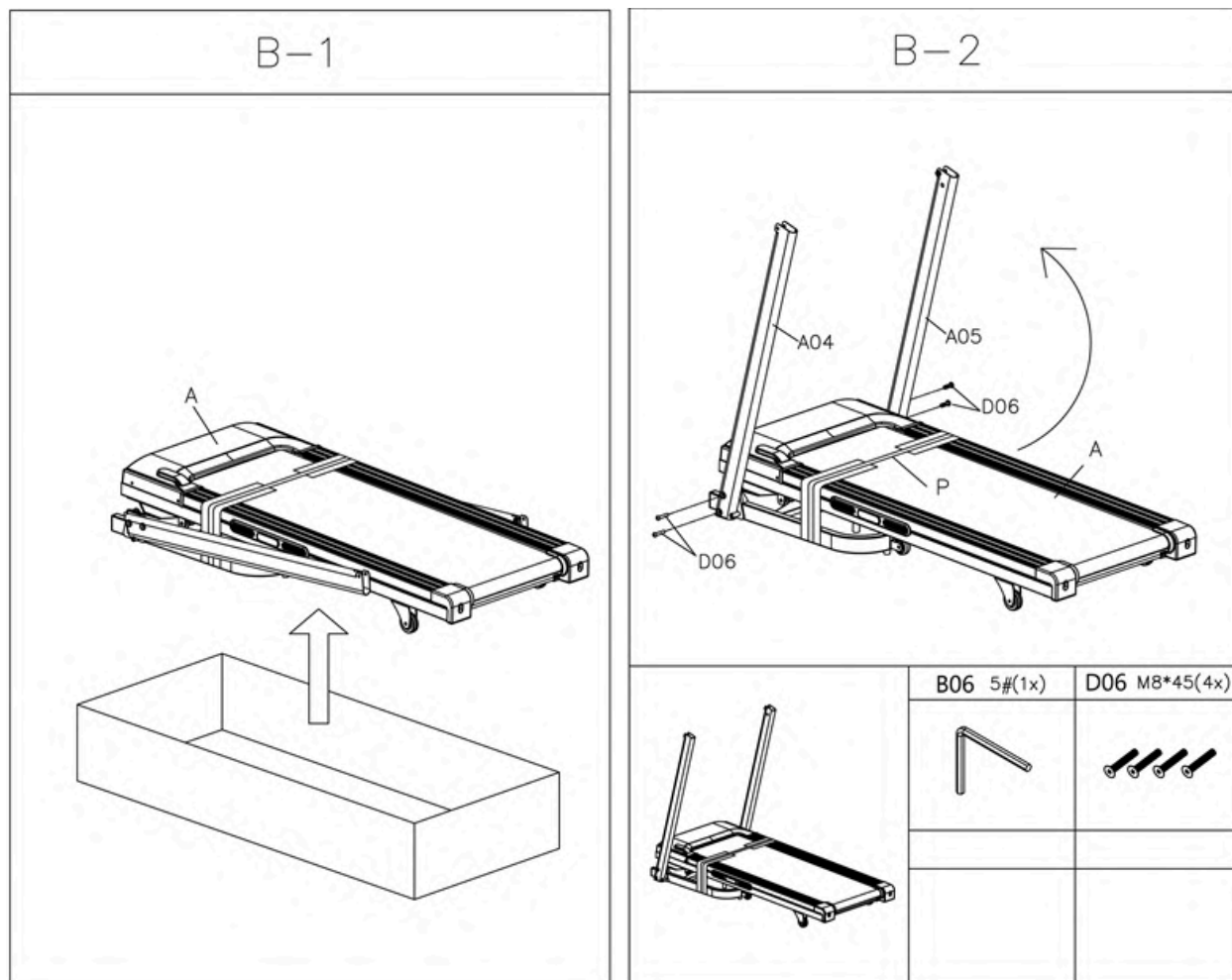
- Trzymaj się poręczy podczas dokonywania zmian ustawień.
- Bieżnia wyposażona jest w klucz bezpieczeństwa. Jego usunięcie powoduje natychmiastowe zatrzymanie pasa i automatyczne wyłączenie bieżni. Włożenie klucza zresetuje wyświetlacz.
- Nie używaj nadmiernej siły przy naciskaniu klawiszy na konsoli. Są one zaprojektowane tak, aby działać poprawnie przy delikatnym nacisku.
- Urządzenie nie jest przeznaczone dla osób (w tym dzieci) o ograniczonych zdolnościach fizycznych, sensorycznych czy umysłowych, lub braku doświadczenia i wiedzy, chyba że są one nadzorowane przez osobę odpowiedzialną za ich bezpieczeństwo.
- Przed przystąpieniem do ćwiczeń skonsultuj się z lekarzem w celu upewnienia się, czy nie masz żadnych przeciwwskazań zdrowotnych do ćwiczeń na urządzeniu. Dotyczy to w szczególności osób po 35 roku życia, przewlekle chorych, kobiet w ciąży i karmiących piersią.
- W przypadku zawrotów głowy, nadmiernego uczucia sytości, bólu w klatce piersiowej lub innych niepokojących objawów podczas treningu, natychmiast przerwij ćwiczenia i skonsultuj się z lekarzem. Pamiętaj, że nadmierne ćwiczenia mogą być niebezpieczne dla Twojego zdrowia i życia.
- Po ćwiczeniach na bieżni przez więcej niż 20 minut, pamiętaj o nawodnieniu organizmu.
- Pamiętaj o regularnym smarowaniu urządzenia.
- Nie przekraczaj maksymalnej dopuszczalnej wagi użytkownika dla urządzenia. Informację o maksymalnej wadze znajdziesz na etykiecie urządzenia.

## INSTRUKCJA MONTAŻU

W opakowaniu znajdziesz następujące elementy:



Kod	Nazwa elementu	szt.	Kod	Nazwa elementu	szt.
A	Rama główna	1	D	Konsola	1
B	Komputer	1	E	Olej silikonowy	1
C	Klucz bezpieczeństwa	1	E08	Przewód zasilający	1

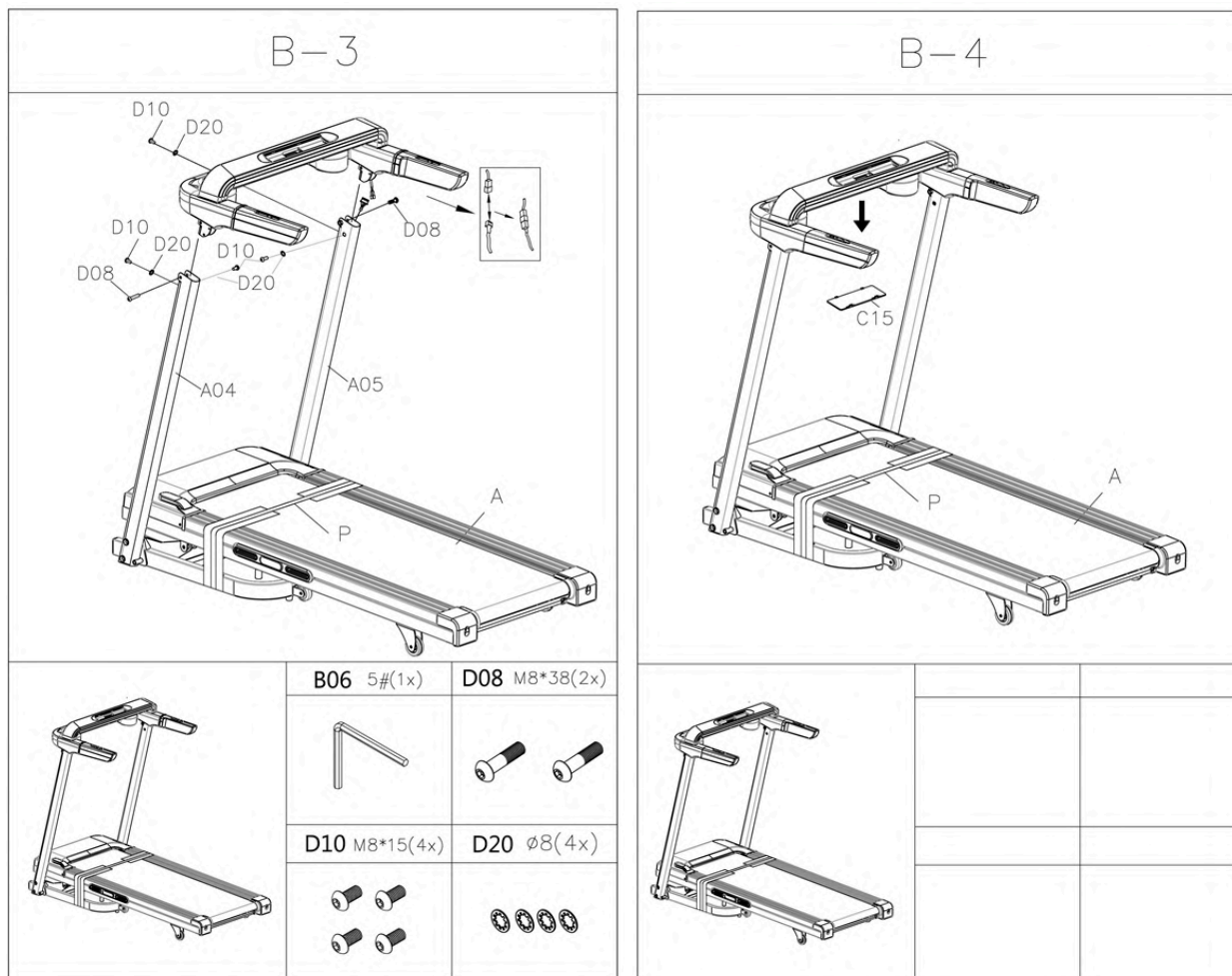


1. Połóż pudełko na płaskiej powierzchni w właściwej pozycji określonej znakiem



2. Otwórz pudełko i wyjmij w pierwszej kolejności konsolę (D), komputer (B), które są położone na głównej ramie (A).
3. Wyciągnij bieżnię z pudełka. Ta czynność wymaga dwóch osób. Podczas podnoszenia kolumny (A04 & A05) mogą się obrócić i uderzyć o podłogę. Zadbaj żeby nie upadły.

4. Podnieś kolumny bieżni (A04, A05) i przykręć do ramy przy pomocy 4 śrub (D06) z użyciem klucza imbusowego (B06).



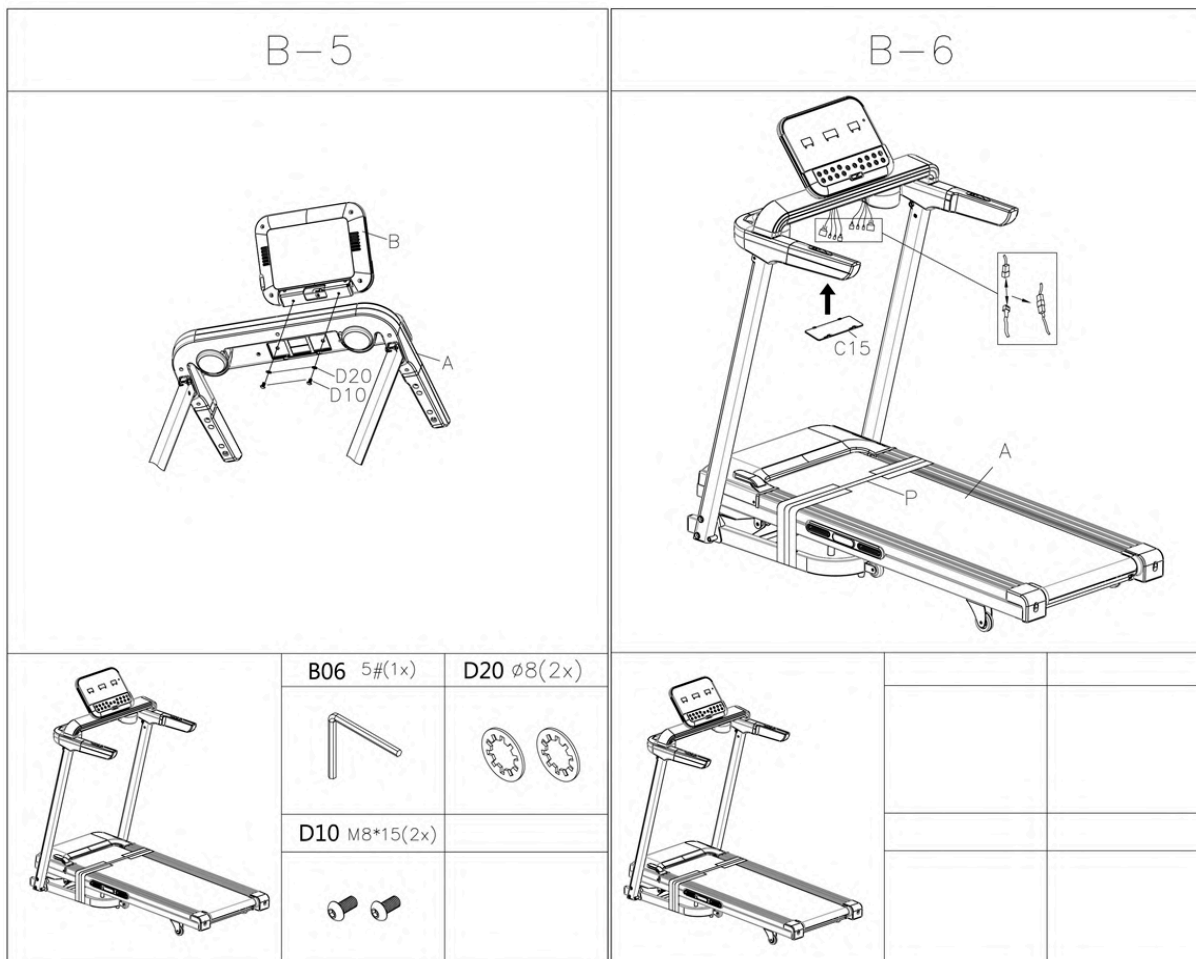
5. Przytrzymaj konsolę (D) ponad kolumnami i wykonaj **dokładne połączenie** przewodu wychodzącego z kolumny z przewodem pod konsolą.

**UWAGA!** Wykonanie tej czynności wymaga dwóch osób.

6. Po połączeniu przewodów **odetnij plastikową trytkę** podtrzymującą przewód wystający z kolumny.
7. Nałóż konsolę (D) na kolumny dbając, aby nie **przycisnąć lub przeciąć** przewodu komunikacyjnego.
8. Przykręć konsolę (D) do kolumn używając 2 śrub (D08) i 4 śrub (D10) z podkładkami (D20) za pomocą klucza imbusowego (B06).

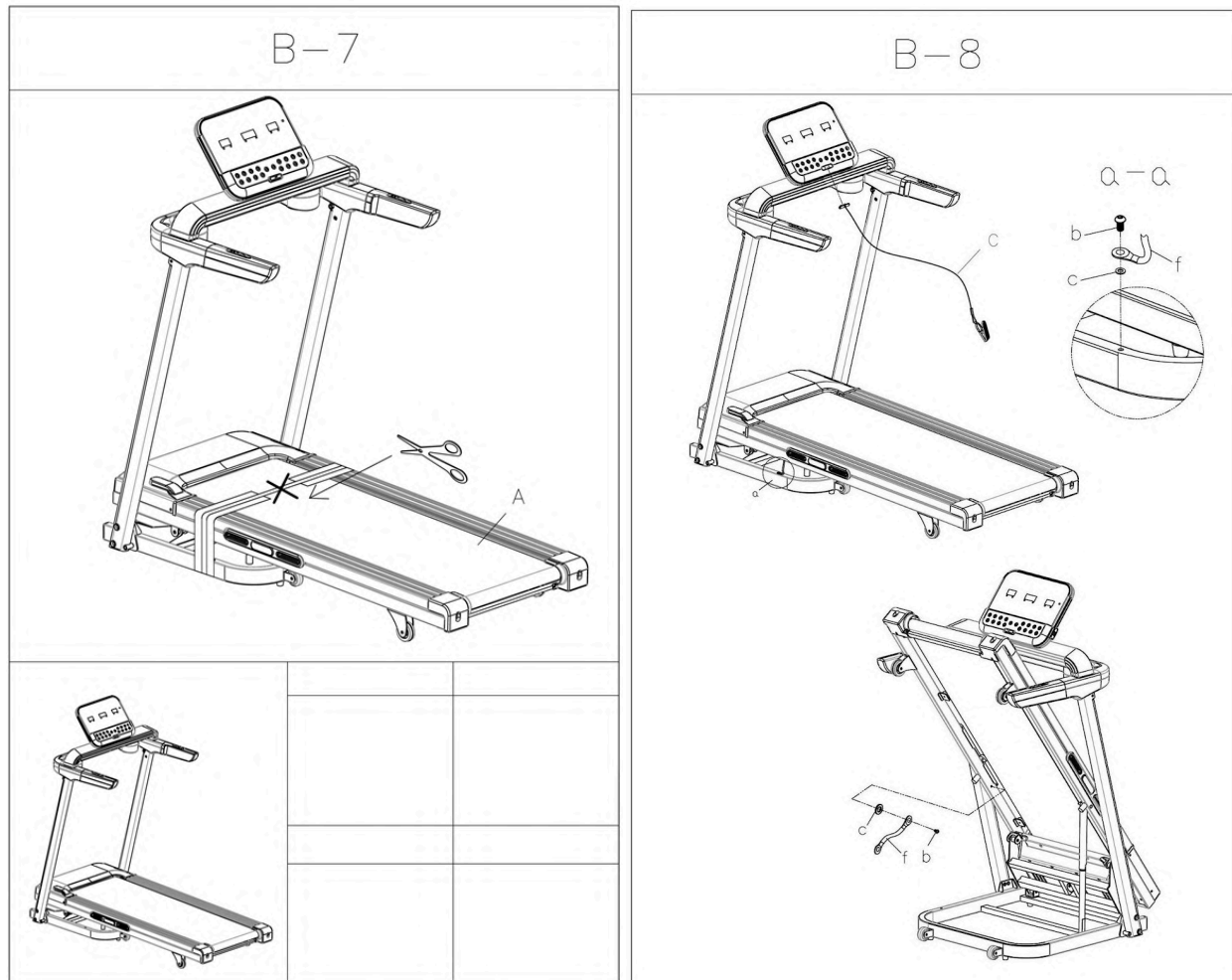
9. Wyciągnij płytkę maskującą (C15) spod obudowy konsoli.





10. Umieść komputer (**B**) we właściwym miejscu w konsoli (**D**) i przełóż przewody z komputera w taki sposób, aby wystawały pod konsolą.
11. Przykręć komputer (**B**) do konsoli (**D**) przy pomocy 2 śrub (**D10**) i podkładek (**D20**) używając klucza imbusowego (**B06**).

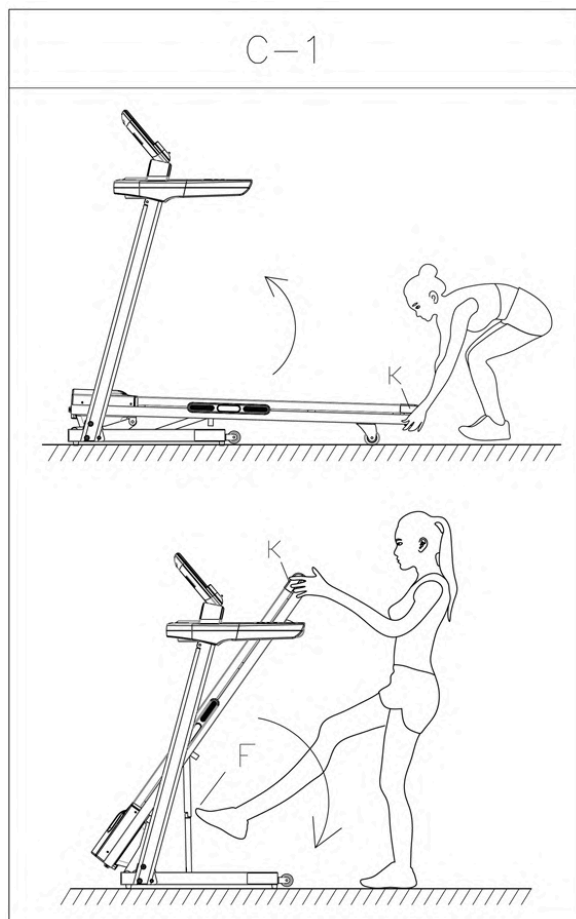
12. **Dokładnie połącz** wszystkie przewody wychodzące z dołu komputera (**B**) z przewodami z konsoli (**D**). Jest tylko jeden możliwy sposób połączenia przewodów.
13. Zamocuj płytkę maskującą (**C15**) pod obudowę konsoli.



14. Usuń taśmę bindującą łączącą podstawę z pasem biegowym.

15. Odkręć śrubę (**b**) łączącą podstawę bieżni z taśmą (**f**) blokującą podniesienie bieżni przy pomocy klucza imbusowego (**BO6**).
16. Podnieś pas biegowy i odkręć kolejną śrubę (**f**). Jak podnieść i opuścić pas biegowy dowiesz się w sekcji "Instrukcja składania".
17. Zachowaj śruby (**b**) i taśmę (**f**) w razie potrzeby ponownego skręcenia.
18. Opuść pas biegowy.
19. Wykonaj **smarowanie pasa biegowego** według właściwego punktu tej instrukcji.
20. Umieść magnetyczny klucz bezpieczeństwa (**D**) w gnieździe konsoli.  
**WAŻNE!** Bez poprawnego zainstalowania klucza (**D**) **bieżnia nie będzie działać**.

# INSTRUKCJA SKŁADANIA



## Podnoszenie pasa biegowego

Podnieś pas biegowy (K) aż do zablokowania się mechanizmu zapobiegającego opadaniu. W momencie zablokowania będzie słyszalne kliknięcie.

## Opuszczanie pasa biegowego

1. Podnieś lekko pas biegowy (K) i delikatnie popchnij nogą podnośnik (F) żeby go odblokować.
2. Naciśnij pas pas biegowy (K) w dół. Od pewnego momentu pas biegowy będzie samoczynnie opadać.

**UWAGA!** Zadbaj, aby w trakcie opuszczania bieżni nie znajdowały się w pobliżu inne osoby, zwierzęta lub przedmioty.

# INSTRUKCJA PRZESTAWIANIA



1. Podnieś pas biegowy (**K**) według instrukcji na poprzedniej stronie. Przytrzymaj nogą podstawę bieżni w miejscu oznaczonym na ilustracji.
2. Ciągnąc do siebie za pas biegowy (**K**) obróć bieżnię do pozycji pokazanej na ilustracji. Uważaj, aby w początkowej fazie obracania podstawa bieżni nie przesunęła się.

**UWAGA!** Bieżnia jest ciężka, więc zanim przystąpisz do przesuwania bieżni miej pewność, że Twoje możliwości fizyczne na to pozwalają.

# PRZEWODNIK UŻYTKOWNIKA



## Funkcje przycisków:

1. INSTANT INCLINE (Natychmiastowa Zmiana Kąta Nachylenia): Naciśnij przyciski 3, 6 lub 9 lub aby szybko wybrać poziom nachylenia.
2. INCLINE + (Zwiększenie Nachylenia): Naciśnij ten przycisk, aby zwiększyć nachylenie bieżni.
3. INCLINE - (Zmniejszenie Nachylenia): Naciśnij ten przycisk, aby zmniejszyć nachylenie bieżni.
4. PROG (Programy): Naciśnij ten przycisk, aby wybrać spośród 9 programów i programu pomiaru tkanki tłuszczowej.
5. START (Start): Naciśnij ten przycisk, aby uruchomić bieżnię.
6. INSTANT SPEED (Natychmiastowa Zmiana Prędkości): Naciśnij przyciski 3, 6, 9 aby szybko wybrać prędkość.
7. STOP/PAUSE (Stop/Pauza): Naciśnij ten przycisk, aby wstrzymać lub zatrzymać bieżnię.
8. MODE (Tryb): Naciśnij ten przycisk, aby wejść do ustawień CZASU, DYSTANSU, KALORII.
9. SPEED + (Zwiększanie Prędkości): Naciśnij ten przycisk, aby zwiększyć prędkość bieżni.
10. SPEED - (Zmniejszanie Prędkości): Naciśnij ten przycisk, aby zmniejszyć prędkość bieżni.

## Media HUB:

1. Kompatybilność i możliwość połączenia z aplikacjami takimi jak **FITSHOW, ZWIFT, KINOMAP**.

## Funkcje Komputera:

1. **CAL./DIS.:** Wyświetla na zmianę aktualną ilość spalonych kalorii i dystans.
2. **INCLINE/TIME:** Wyświetla na zmianę aktualne nachylenie i czas treningu.
3. **SPEED/PULSE:** Wyświetla na zmianę aktualną prędkość i tętno. Przytrzymaj dłoń przez na czujnikach tętna, a po około 5 sekundach wyświetli się aktualne tętno. Pomiar tętna jest wyłącznie do celów poglądowych i nie może być traktowane jako informacja medyczna.
4. **MODE:** Wciśnij przycisk MODE przed rozpoczęciem treningu w celu ustawienia docelowego czasu, dystansu, lub ilości kalorii do spalania na treningu. Po wciśnięciu przycisku START po 3 sekundach rozpocznie się trening.
5. **PROGRAM:** Naciśnij przycisk **PROG**, aby wybrać spośród 9 programów i programu pomiaru tkanki tłuszczowej.
  - 2.1. **Ustawianie 9 wbudowanych programów:** W trybie gotowości, naciśnij przycisk PROG, komputer wyświetli kolejno 9 programów. Wybierz jeden spośród nich.
    - Naciśnij SPEED +/- lub INCLINE +/-, aby ustawić czas treningu.
    - Każdy program jest podzielony na 10 sekcji; bieżnia wyda sygnał dźwiękowy 3 razy, gdy rozpoczyna się nowa sekcja.
    - Użyj SPEED +/- lub INCLINE +/-, aby zmieniać prędkość lub nachylenie w każdej sekcji.
    - Urządzenie wyda sygnał dźwiękowy 3 razy i zatrzyma się, gdy program się zakończy.

PROG.	TIME	TIME INTERVAL= setting time/10									
		1	2	3	4	5	6	7	8	9	10
P1	SPEED	1	2	3	3	1	2	2	3	2	2
	INCLINE	2	4	3	4	3	5	4	2	5	3
P2	SPEED	1	2	3	3	2	2	3	4	2	2
	INCLINE	2	5	4	6	4	6	4	2	4	2
P3	SPEED	1	2	2	3	1	2	2	2	2	1
	INCLINE	2	5	4	5	4	5	4	2	3	2
P4	SPEED	2	2	3	3	2	2	4	6	2	2
	INCLINE	3	6	7	5	8	5	9	6	4	3
P5	SPEED	1	2	4	3	2	2	4	5	2	1
	INCLINE	3	6	7	5	8	6	7	6	4	3
P6	SPEED	2	2	6	2	3	4	2	2	2	1
	INCLINE	2	8	6	4	5	9	7	5	4	3
P7	SPEED	4	5	6	6	9	9	10	12	6	3
	INCLINE	2	6	7	4	4	7	4	2	4	2

P8	SPEED	3	5	4	4	3	4	4	3	3	2
	INCLINE	2	4	6	8	7	8	6	2	3	2
P9	SPEED	3	5	3	4	2	3	4	2	3	2
	INCLINE	2	4	5	5	6	5	6	3	3	2

**2.2. Ustawianie pomiaru tkanki tłuszczowej:** W trybie gotowości, naciśnij przycisk PROG, aż dojdiesz do opcji FAT (TŁUSZCZ).

- Naciśnij przycisk MODE, aby wprowadzić informacje.
- Ustaw wartości SPEED +/- lub INCLINE +/- od F-1 do F-4 (F-1 PŁEĆ, F-2 WIEK, F-3 WZROST, F-4 WAGA).
- Naciśnij przycisk MODE, aby wejść w F-5 (TKANKA TŁUSZCZOWA), przytrzymaj czujniki pulsu, a komputer wyświetli zawartość tkanki tłuszczowej po 3 sekundach.
- Wartość pomiaru tkanki tłuszczowej jest tylko wskazówką i nie stanowi danych medycznych.

F-1	Płeć	01 mężczyzna	02 kobieta
F-2	Wiek	10-99	
F-3	Wzrost	100-200 cm	
F-4	Waga	20-150 kg	
F-5	Tkanka tłuszczowa	≤ 19	Niedowaga
		=(20---25)	Waga prawidłowa
		=(26---29)	Nadwaga
		≥ 30	Otyłość

## Pozostałe Funkcje:

### Hand Pulse Function (Funkcja Pomiaru Pulsu):

Przytrzymaj czujnik pulsu przez około 5 sekund, ekran wyświetli wartość pulsu użytkownika. Dane te są wyłącznie informacyjne i nie mogą być traktowane jako dane medyczne.

### Lubrication Remind Function (Przypomnienie o smarowaniu):

Urządzenie jest wyposażone w funkcję przypominania o smarowaniu. Po każdym przebiegu 300 km, bieżnia wymaga konserwacji olejem. System będzie przypominał o tym dźwiękiem co 10 sekund, a okno wyświetli napis „OIL”, co oznacza, że bieżnia wymaga smarowania olejem. Smarowanie pasa bieżni należy wykonać według dalszego punktu tej instrukcji. Po zakończeniu smarowania przytrzymaj przycisk „STOP” przez 3 sekundy, a ostrzeżenie systemu zniknie.

### Energy Saving Function (Tryb Oszczędzania Energii):

Aby zmniejszyć zużycie energii, bieżnia wejdzie w tryb uśpienia, jeśli przez 10 minut nie będzie żadnej akcji. Ekran wyświetli przypomnienie przed wejściem w tryb uśpienia. Gdy maszyna wejdzie w tryb uśpienia, proszę zdjąć klucz bezpieczeństwa i włożyć go ponownie, aby aktywować system.



**Error Reminding (Komunikaty Błędów):**

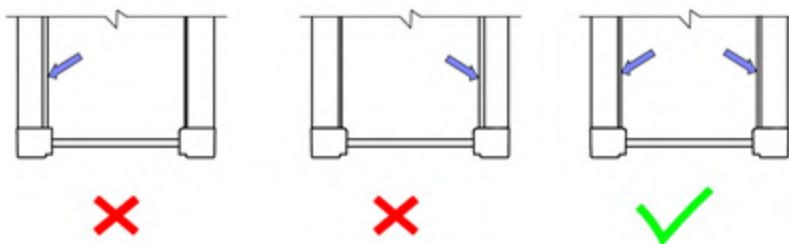
Jeśli bieżnia wyświetla jakiegokolwiek informację o błędach, w pierwszej kolejności zapoznaj się z rozdziałem instrukcji: ROZWIĄZYWANIE PROBLEMÓW.

## KONSERWACJA I PIELEGNACJA

Czyszczenie pomoże przedłużyć żywotność i wydajność bieżni. Utrzymuj urządzenie w czystości oraz przeprowadzaj konserwację, regularnie odkurzając jego elementy. Oczyszcz obie strony pasa biegowego, aby zapobiec gromadzeniu się kurzu pod pasem. Do czyszczenia powierzchni pasa biegowego używaj czystej, wilgotnej szmatki. Utrzymuj buty do biegania w czystości, aby brud z butów nie zniszczył pasa oraz płyty biegowej.

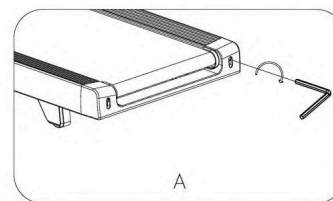
1. W celu utrzymania i przedłużenia żywotności bieżni zalecamy wyłączenie urządzenia na 10 min po każdym 2 godzinach użytkowania oraz całkowitego odłączenia urządzenia od sieci zawsze, gdy nie jest używane.
2. Luźny pas biegowy będzie się ślizgał podczas biegu, natomiast zbyt ciasny pas spowoduje zmniejszenie wydajności silnika, a także zwiększenie tarcia pomiędzy rolką a pasem. Optymalne napięcie pasa biegowego jest wtedy gdy możemy go odciągnąć ręką na 50-75 mm od płyty.

### Centrowanie Pasa Biegowego:

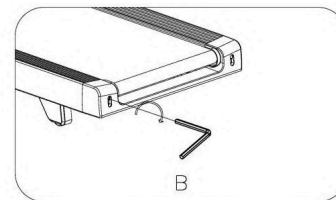


Położ bieżnię na równym podłożu i nastaw prędkość na 6-8 km/h, aby sprawdzić, czy pas biegowy jest wycentrowany. Pas jest wycentrowany jeżeli odległość z prawej i lewej strony od krawędzi pasa biegowego do bocznych elementów są równe.

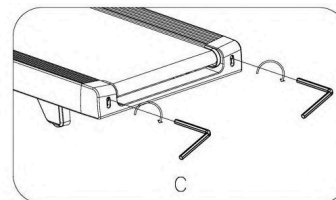
1. Jeśli **pas biegowy** jest przesunięty **prawo**, obróć śrubę regulacyjną po prawej stronie o  $\frac{1}{4}$  obrotu w kierunku zgodnym z ruchem wskazówek zegara, a następnie obróć lewą śrubę regulacyjną o  $\frac{1}{4}$  obrotu w kierunku przeciwnym do ruchu wskazówek zegara. Powtarzaj ten krok, aż pas zostanie wyśrodkowany (rysunek A).



2. Jeśli **pas biegowy** jest przesunięty w **lewo**, obróć śruby regulacyjne po lewej stronie o  $\frac{1}{4}$  obrotu w kierunku zgodnym z ruchem wskazówek zegara, a następnie obróć prawą śrubę regulacyjną o  $\frac{1}{4}$  obrotu w kierunku przeciwnym do ruchu wskazówek zegara. Powtarzaj ten krok, aż pas zostanie wyśrodkowany (rysunek B).



3. Z czasem **pas biegowy** może się **poluzować**. Aby napiąć pas, przekręć śruby regulacyjne po lewej i prawej stronie o jeden pełny obrót w kierunku zgodnym z ruchem wskazówek zegara i sprawdź napięcie pasa. Kontynuuj ten proces, aż pas biegowy będzie prawidłowo napięty. Upewnij się, że obie strony są równomiernie wyregulowane, aby zapewnić prawidłowe ułożenie pasa (rysunek C).



## SMAROWANIE BIEŻNI

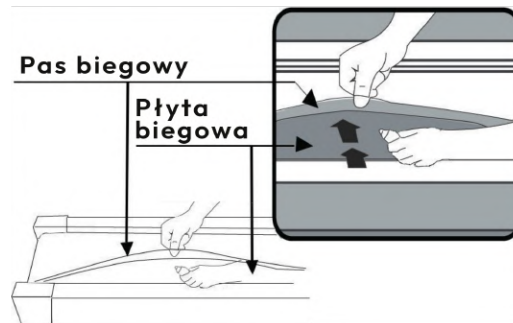
**Ważne:** Przed pierwszym użyciem bieżni należy nasmarować.

**Smarowanie pasa i płyty biegowej:** Smarowanie płyty biegowej i pasa biegowego jest niezbędne, ponieważ tarcie między nimi wpływa na żywotność i działanie bieżni, dlatego zalecamy regularne sprawdzanie płyty i pasa.

**Uwaga:** Zawsze wyłączaj i odłączaj bieżnię od zasilania przed czyszczeniem, smarowaniem lub naprawą urządzenia.

### Jak przeprowadzić smarowanie pasa biegowego:

1. Podnieś pas biegowy z jednej strony i nałóż smar na płytę biegową. Powtórz ten proces dla drugiej strony bieżni. Upewnij się, że **smar dotarł aż pod sam środek pasa biegowego**. Włącz bieżnię i ustaw na prędkość 3 km/h przez 5 minut, aby smar dokładnie się rozprowadził. Prawidłowa ilość smaru użyta do jednego smarowania to **około 4 ml**, czyli załączona do zestawu tubka 20 ml powinna wystarczyć na 5-krotne smarowanie.
2. Części ruchome powinny obracać się swobodnie i cicho. Nieprawidłowości w zakresie ruchomych części będą miały wpływ na bezpieczeństwo sprzętu. Regularnie sprawdzaj i dokręcaj śruby.
3. W celu utrzymania bieżni w dobrym stanie i przedłużenia jej żywotności, zalecamy regularne wykonywanie konserwacji.



#### Rekomendowany harmonogram smarowania:

Sporadyczne użytkowanie (mniej niż 3 godzin/tydzień) - co 6 miesięcy

Standardowe użytkowanie (3-5 godzin/tydzień) - co 3 miesiące

Intensywne użytkowanie (więcej niż 5 godzin/tydzień) - co 2 miesiące

## DANE TECHNICZNE

Model:	Gymio Run Flex
Parametry zasilania:	AC 220-240V 50-60Hz
Rodzaj silnika:	DC
Moc maksymalna:	1.75 HP (1290 W)
Moc ciągła:	1.0 HP (750 W)
Sposób regulacji nachylenia:	Automatyczne sterowane elektronicznie
Poziomy nachylenia:	12 poziomów - maksymalne nachylenie 10%
Wymiary powierzchni do biegania:	132 x 42 cm
Waga urządzenia netto:	58 kg
Waga urządzenia brutto:	67 kg
Klasa zastosowania:	Class H
Klasa dokładności:	Class A
Zakres prędkości pracy:	0.8 - 14 km/h
Normy i certyfikaty:	CE, EN ISO 20957-1:2013, EN 957-6:2010 + A1:2014
Przeznaczenie:	Bieżnia elektryczna do użytku domowego
Maksymalna waga użytkownika:	100 kg

# ROZWIĄZYWANIE PROBLEMÓW

PROBLEM	MOŻLIWA PRZYCZYNA	ROZWIĄZANIE PROBLEMU
Bieżnia nie uruchamia się	Bieżnia nie jest podłączona do zasilania.	Podłącz przewód bieżni do zasilania.
	Klucz bezpieczeństwa nie jest podpięty.	Podłącz klucz bezpieczeństwa.
Pas biegowy nie jest wycentrowany	Nieprawidłowy naciąg pasa biegowego z lewej lub prawej strony bieżni.	Wycentruj pas biegowy według tej instrukcji.
Komputer nie działa	Przewód łączący komputer i konsolę jest nieprawidłowo podłączony.	Upewnij się, że konsola i komputer są prawidłowo podłączone przewodem.
	Komputer jest uszkodzony.	Skontaktuj się z serwisem producenta.
E01 lub E13: Błąd komunikacji	Przewód łączący komputer i konsolę jest nieprawidłowo podłączony.	Sprawdź połączenie przewodu pomiędzy komputerem a konsolą. Jeśli jest poprawne, a problem wciąż występuje, skontaktuj się z serwisem producenta.
E02: Ochrona przed przeciążeniem	Napięcie wejściowe jest niższe niż 50% wymaganego napięcia.	Sprawdź, czy napięcie wejściowe jest prawidłowe.
E03: Brak sygnału czujnika prędkości	Sygnał czujnika prędkości nie może zostać odebrany przez konsolę.	Sprawdź, czy przewód czujnika jest prawidłowo podłączony. Jeśli połączenie jest poprawne, a problem wciąż występuje, skontaktuj się z serwisem producenta.
E04: Błąd nachylenia	Silnik nachylenia jest uszkodzony, przewód silnika nachylenia jest nieprawidłowo podłączony lub uległ uszkodzeniu.	Sprawdź wszystkie połączenia przewodów wykonywane w trakcie pierwszego montażu, a problem wciąż występuje, skontaktuj się z serwisem producenta.
E05: Zabezpieczenie przed przeciążeniem prądowym	Napięcie wejściowe jest za niskie lub za wysokie.	Uruchom ponownie bieżnię. Sprawdź napięcie wejściowe, aby upewnić się, że jest prawidłowe.
	Ruchoma część bieżni zablokowała się lub silnik nie może prawidłowo pracować.	Przełóż ruchome części bieżni, aby upewnić się, że pas działa prawidłowo. Sprawdź czy nie przekroczono dopuszczalnej dla urządzenia wagi użytkownika.
E06: Błąd silnika	Przewód silnika jest niepodłączony lub silnik jest uszkodzony.	Sprawdź wszystkie połączenia przewodów wykonywane w trakcie pierwszego montażu, a problem wciąż występuje, skontaktuj się z serwisem producenta.
E08: Błąd konsoli	Konsola jest niepodłączona.	Sprawdź czy górne i dolne przewody konsoli są prawidłowo podłączone. Jeśli połączenie jest poprawne, a problem wciąż występuje, skontaktuj się z serwisem producenta.
E10: Błąd silnika	Ruchoma część bieżni zablokowała pas lub silnik nie może prawidłowo pracować.	Sprawdź ruchome części bieżni, aby upewnić się, że pas działa prawidłowo. Sprawdź czy nie przekroczono dopuszczalnej dla urządzenia wagi użytkownika.

## Sicherheitshandbuch

1. Vor der Installation und Inbetriebnahme lesen Sie bitte sorgfältig diese Bedienungsanleitung.
2. Bitte bewahren Sie dieses Handbuch für zukünftige Referenzen auf.
3. Das Produkt kann sich aufgrund von Modell-Aktualisierungen geringfügig von den abgebildeten Artikeln Bildern unterscheiden.

# SICHERHEITSINFORMATIONEN

**WARNUNG - Lesen Sie alle Anweisungen, bevor Sie dieses Laufband benutzen. Es ist wichtig, dass Ihr Laufband regelmäßig gewartet wird, um seine Lebensdauer zu verlängern. Wenn Sie Ihr Laufband nicht regelmäßig warten, kann dies Ihre Garantie ungültig machen.**

- **Gefahr:** Um das Risiko eines elektrischen Schlages zu reduzieren, trennen Sie Ihr Laufband vor dem Reinigen und/oder Warten vom Stromnetz.
- Verwenden Sie keine Verlängerungskabel und nur das Original-Stromkabel. Halten Sie das Stromkabel fern von Wärmequellen. Benutzen Sie das Laufband nicht, wenn das Stromkabel oder der Stecker beschädigt sind.
- Das Laufband sollte an eine geerdete Steckdose mit der entsprechenden Spannung und Stromfrequenz angeschlossen werden.
- Stellen Sie sicher, dass das Gerät während der Benutzung auf einer stabilen und ebenen Fläche steht. Der hintere Teil des Laufbandes sollte frei von Hindernissen sein, halten Sie mindestens 1 Meter Abstand zu festen Objekten.
- Blockieren Sie nicht den hinteren Teil des Laufbandes. Halten Sie mindestens 1 Meter Abstand zwischen dem hinteren Teil des Laufbandes und jedem festen Objekt.
- Vermeiden Sie die Nutzung des Laufbandes auf weichen, dicken Teppichen, da dies sowohl dem Teppich als auch der Ausrüstung schaden kann.
- Tragen Sie immer den Plastik-Sicherheitsclip an Ihrer Kleidung beim Laufen, der das Laufband im Falle eines Sturzes schnell stoppt.
- Halten Sie die Hände von allen beweglichen Teilen fern.
- Lassen Sie niemals irgendein Objekt in Öffnungen fallen oder stecken.
- Erlauben Sie niemals Kindern und Haustieren, sich auf oder in der Nähe des Laufbandes aufzuhalten.
- Betreiben Sie es nicht dort, wo Aerosol Spray-Produkte verwendet werden oder Sauerstoff verabreicht wird. Funken vom Motor können eine leicht entzündliche Umgebung entzünden.
- Das Laufband ist nur für den Heimgebrauch bestimmt und nicht für lang andauerndes Laufen geeignet.
- Das Laufband ist nicht für Kinder bestimmt – lassen Sie sie nicht in der Nähe des Geräts.
- Tragen Sie bei Benutzung des Laufbandes geeignete Sportschuhe.
- Benutzen Sie die vorhandenen Handläufe; sie dienen Ihrer Sicherheit.

- Die Pulssensoren sind keine medizinischen Geräte. Verschiedene Faktoren, einschließlich der Bewegung des Benutzers, können die Genauigkeit der Herzfrequenzmessungen beeinflussen. Die Pulssensoren dienen nur als Hilfsmittel zur Bestimmung allgemeiner Herzfrequenz Trends.
- Zum Trennen alle Steuerungen in die Ausposition bringen, den Sicherheitsschlüssel entfernen und dann den Stecker aus der Steckdose ziehen.
- Zulässige Temperatur: 5 bis 40 Grad.
- Entfernen Sie den Sicherheitsschlüssel nach Gebrauch, um eine unbefugte Benutzung des Laufbandes zu verhindern.

## WICHTIGE ELEKTRISCHE INFORMATIONEN

### **WARNUNG!**

Verwenden Sie NIEMALS eine Steckdose mit Fehlerstrom-Schutzschalter (GFCI) für dieses Laufband. Führen Sie das Stromkabel so, dass es von allen beweglichen Teilen des Laufbandes, einschließlich des Höhenverstell Mechanismus und der Transporträder, ferngehalten wird. Betreiben Sie das Laufband NIEMALS an einem Generator oder einer USV-Stromversorgung. Entfernen Sie NIEMALS eine Abdeckung, ohne zuvor den Wechselstrom abzutrennen. Setzen Sie dieses Laufband NIEMALS Regen oder Feuchtigkeit aus. Dieses Laufband ist nicht für den Gebrauch im Freien, in der Nähe eines Pools oder in einer anderen Umgebung mit hoher Luftfeuchtigkeit konzipiert.

- **WARNUNG:** Dieses Laufband benötigt eine geeignete Stromquelle, um ordnungsgemäß zu funktionieren. Zu Ihrer Sicherheit sowie der Sicherheit anderer überprüfen Sie bitte, dass die Stromquelle korrekt ist, bevor Sie das Gerät anschließen. Eine falsche Stromquelle könnte erhebliche Schäden am Gerät und/oder dem Benutzer verursachen. Die richtige Stromquelle ist **AC 220-240V 50-60Hz**.
- **ERDUNGSMETHODEN:** Dieses Produkt muss geerdet werden. Die Erdung bietet den geringsten Widerstand für elektrischen Strom und verringert das Risiko eines elektrischen Schlages. **Der Stecker muss in eine entsprechende Steckdose gesteckt werden, die ordnungsgemäß installiert und gemäß allen lokalen Vorschriften und Verordnungen geerdet ist.** Stellen Sie sicher, dass das Produkt an eine Steckdose angeschlossen wird, die dieselbe Konfiguration wie der Stecker hat. **Verwenden Sie keinen Adapter, um das Laufband an eine elektrische Steckdose anzuschließen.**
- **GEFAHR:** Eine unsachgemäße Verbindung des Geräte-Erdleiters kann ein Risiko eines elektrischen Schlages darstellen. Wenden Sie sich an einen zertifizierten Elektriker, wenn Sie Zweifel haben, ob das Produkt ordnungsgemäß geerdet ist. Modifizieren Sie den mit dem Produkt gelieferten Stecker nicht. Wenn er nicht in die Steckdose passt, lassen Sie eine passende Steckdose von einem Elektriker installieren.

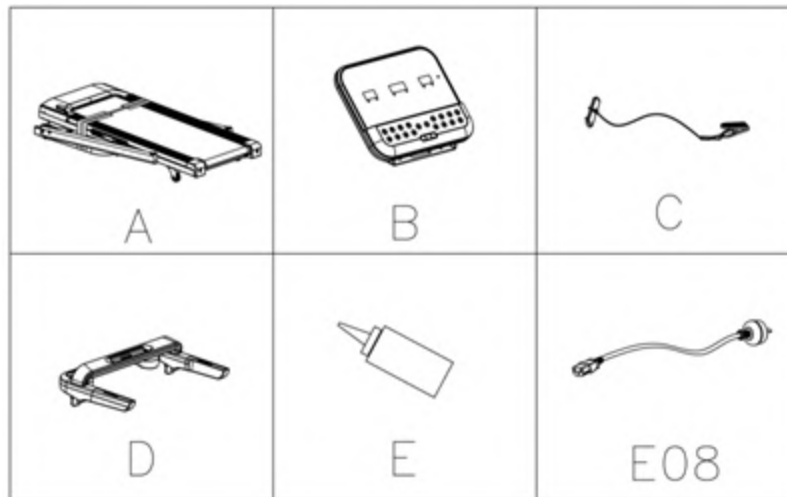
# BENUTZERSICHERHEIT

- Vor der ersten Benutzung lesen und verstehen Sie das gesamte Bedienungshandbuch.
- Stecken Sie den Netzstecker direkt in die Steckdose, ohne ein Verlängerungskabel zu verwenden.
- Benutzen Sie das Laufband nicht länger als 2 Stunden am Stück ohne Pause.
- Beachten Sie, dass Änderungen der Geschwindigkeit und Neigung nicht sofort erfolgen. Stellen Sie Ihre gewünschte Geschwindigkeit an der Computerkonsole ein und lassen Sie den Einstellschlüssel los. Der Computer wird den Befehl allmählich ausführen.
- Seien Sie vorsichtig, wenn Sie andere Aktivitäten während des Gehens auf Ihrem Laufband ausüben; wie Fernsehen, Lesen usw. Diese Ablenkungen können dazu führen, dass Sie das Gleichgewicht verlieren oder vom Zentrum des Bandes abkommen, was zu schweren Verletzungen führen kann.
- Um ein Verlieren des Gleichgewichts und unerwartete Verletzungen zu vermeiden, steigen Sie NIEMALS auf oder vom Laufband ab, während das Band sich bewegt. Dieses Gerät startet mit sehr niedriger Geschwindigkeit. Einfach auf dem Band stehen während der langsamen Beschleunigung ist richtig, nachdem Sie gelernt haben, diese Maschine zu bedienen.
- Halten Sie sich immer am Handlauf fest, während Sie Steuerungs Änderungen vornehmen.
- Ein Sicherheitsschlüssel wird mit dieser Maschine geliefert. Entfernen des Sicherheitsschlüssels stoppt das Laufband sofort; das Laufband schaltet sich automatisch aus. Das Einsetzen des Sicherheitsschlüssels setzt das Display zurück.
- Drücken Sie nicht zu fest auf die Steuertasten der Konsole. Sie sind präzise eingestellt, um mit wenig Fingerdruck richtig zu funktionieren.
- Dieses Gerät ist nicht für die Benutzung durch Personen (einschließlich Kinder) mit eingeschränkten körperlichen, sensorischen oder geistigen Fähigkeiten oder mangelnder Erfahrung und Kenntnis bestimmt, es sei denn, sie wurden von einer für ihre Sicherheit verantwortlichen Person beaufsichtigt oder bezüglich der Verwendung des Gerätes unterwiesen. Kinder sollten beaufsichtigt werden, um sicherzustellen, dass sie nicht mit dem Gerät spielen.
- Konsultieren Sie vor Beginn des Trainings einen Arzt, um sicherzustellen, dass keine gesundheitlichen Kontraindikationen für das Training auf dem Gerät vorliegen. Dies ist besonders wichtig für Personen über 35 Jahre, Personen mit chronischen Krankheiten sowie schwangere oder stillende Frauen.
- Bei Schwindel, übermäßigem Völlegefühl, Brustschmerzen oder anderen besorgniserregenden Symptomen während des Trainings, stoppen Sie sofort das Training und konsultieren Sie einen Arzt. Denken Sie daran, dass übermäßiges Training für Ihre Gesundheit und Ihr Leben gefährlich sein kann.
- Trinken Sie ausreichend Wasser, nachdem Sie länger als 20 Minuten auf unserem Laufband trainiert haben.
- Denken Sie daran, das Laufband regelmäßig zu schmieren.
- Überschreiten Sie nicht das maximale Benutzergewicht für das Gerät. Informationen zum maximalen Gewicht finden Sie auf dem Geräteetikett.

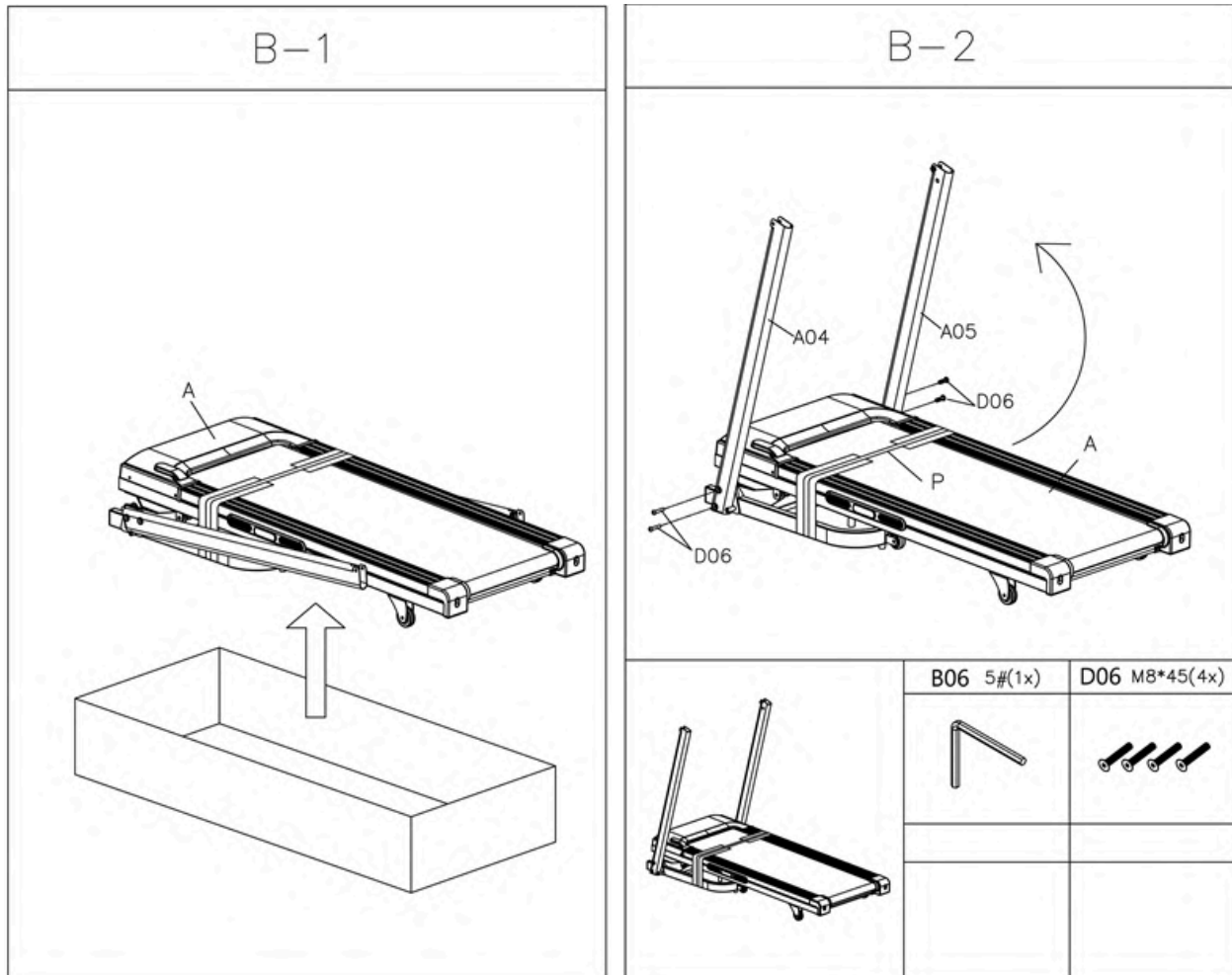



# MONTAGEANLEITUNG

Wenn Sie den Karton öffnen, finden Sie die folgenden Teile:

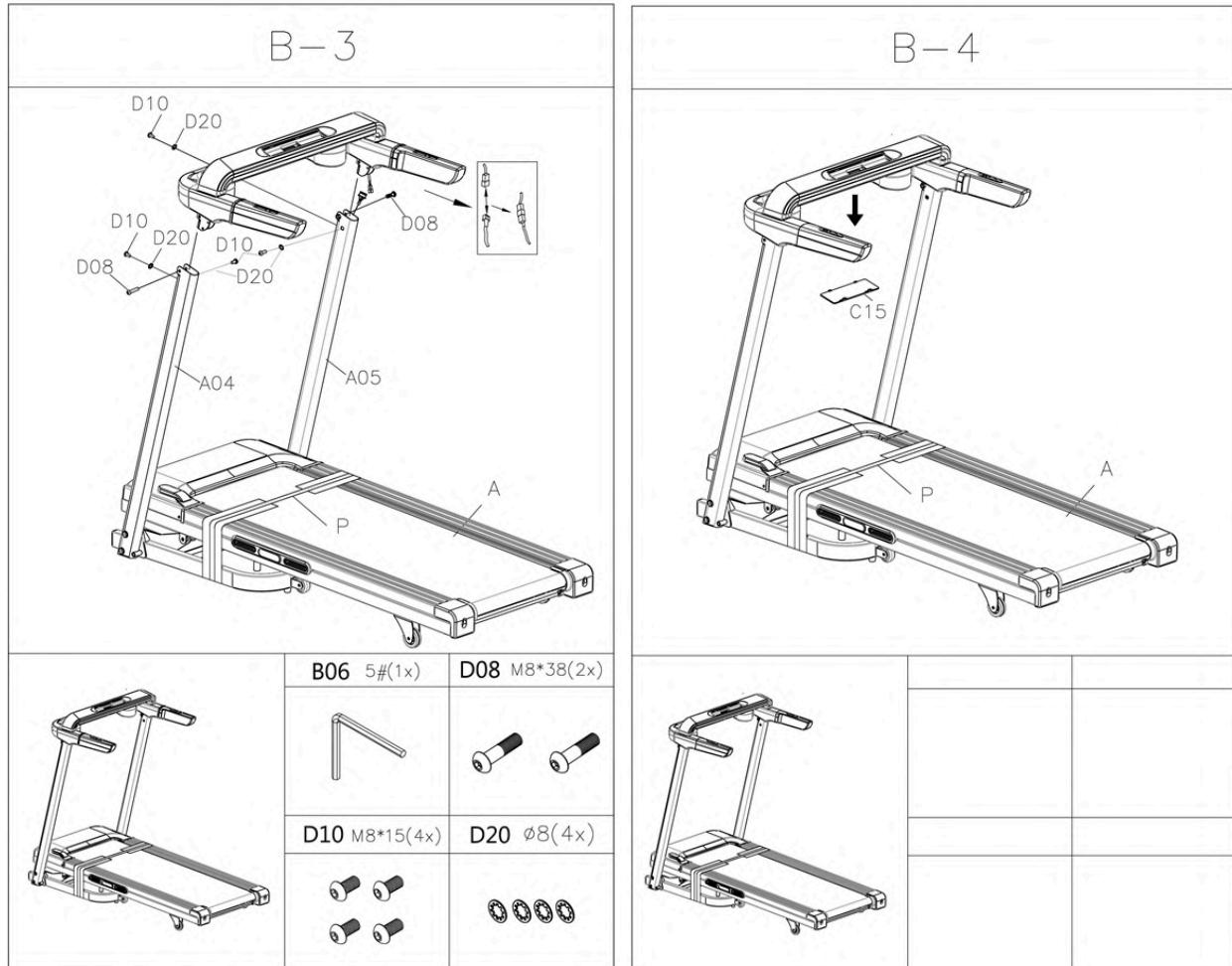


Nr.	Bezeichnung	Stk.		Nr.	Bezeichnung	Stk.
A	Hauptrahmen	1		D	Konsole	1
B	Computer	1		E	Silikonöl	1
C	Sicherheitsschlüssel	1		E08	Netzkabel	1



1. Stellen Sie die Schachtel auf eine flache Oberfläche in die richtige Position wie angegeben.  .
2. Öffnen Sie die Schachtel und nehmen Sie zuerst die Konsole (D) und den Computer (B) heraus, die auf dem Haupttrahmen (A) platziert sind.
3. Nehmen Sie den Haupttrahmen des Laufbands (A) aus der Schachtel. Diese Tätigkeit erfordert zwei Personen. Beim Anheben können sich die Säulen des Laufbands (A04 & A05) drehen und auf den Boden schlagen. Sichern Sie sie, damit sie nicht fallen.

4. Heben Sie die Säulen des Laufbands (A04, A05) an und befestigen Sie die Säulen mit 4 Schrauben (D06) mit einem Inbusschlüssel (B06).

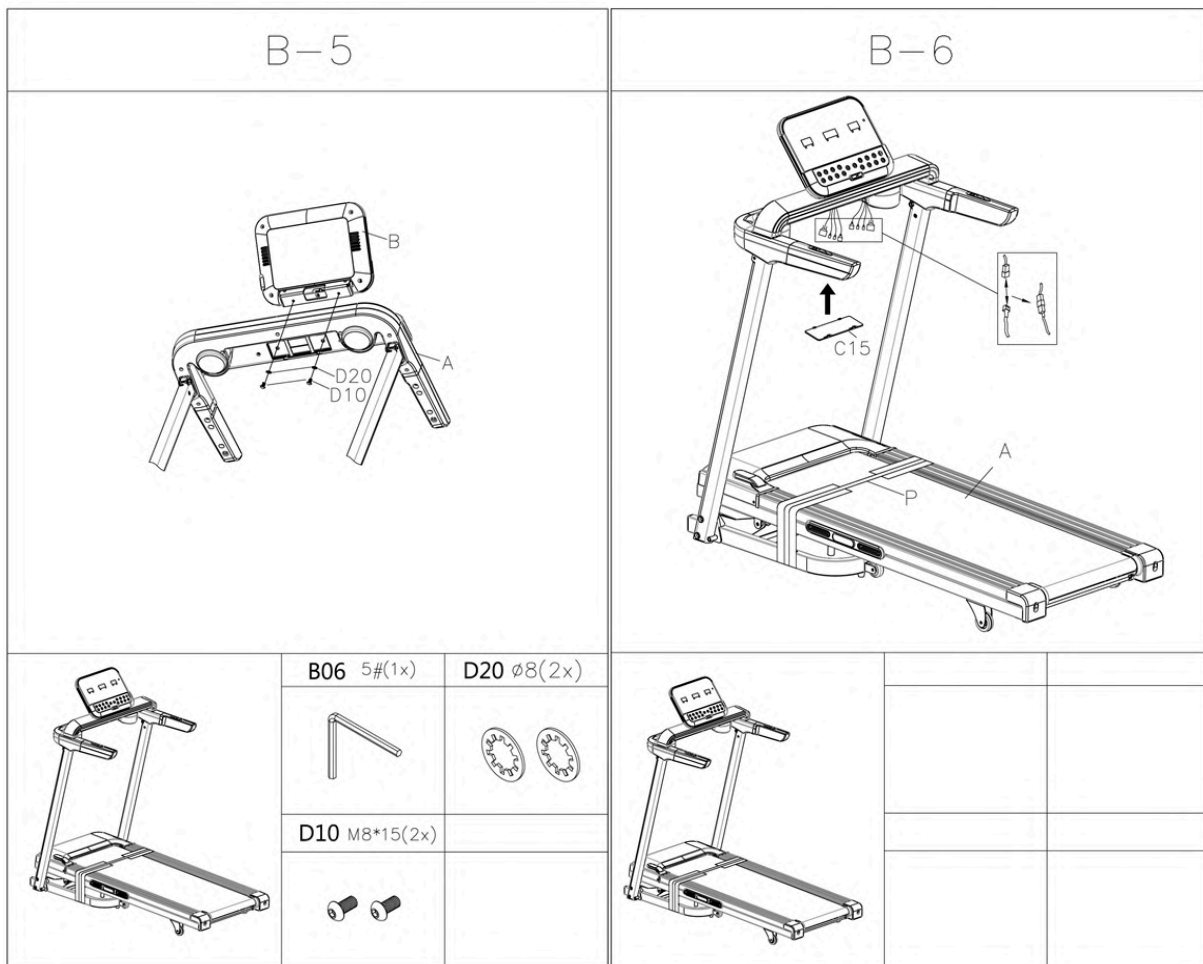


5. Halten Sie die Konsole (D) über die Säulen und verbinden Sie das Kabel, das aus der Säule kommt, präzise mit dem Kabel unter der Konsole.

**VORSICHT!** Diese Aufgabe erfordert zwei Personen.

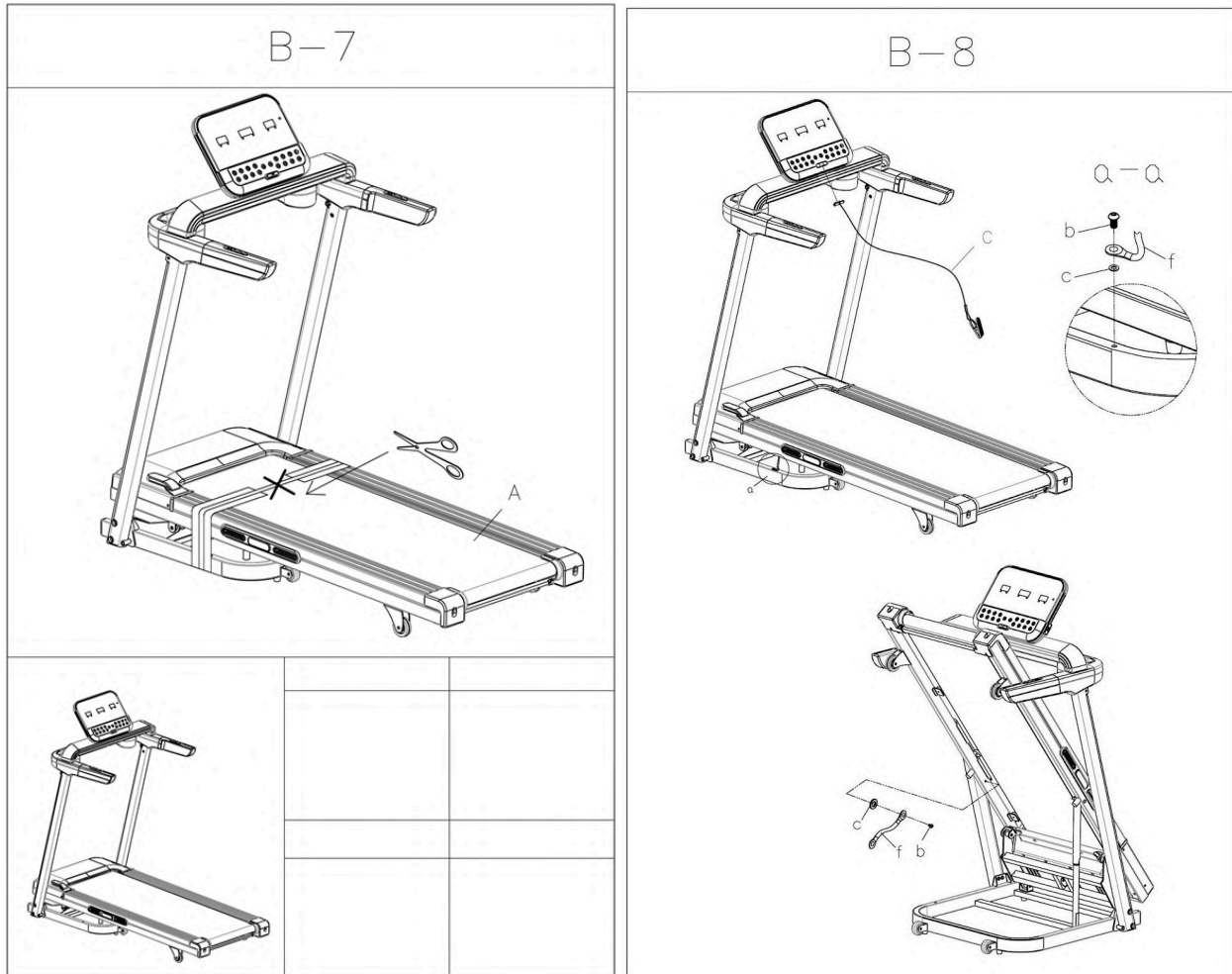
6. Nach dem Verbinden der Kabel schneiden Sie das Kabelbinder, das das Kabel aus der Säule hält, und entfernen Sie das Kabelbinder.
7. Platzieren Sie die Konsole (D) auf den Säulen und achten Sie darauf, das Kommunikationskabel nicht zu drücken oder zu schneiden.
8. Befestigen Sie die Konsole (D) mit 2 Schrauben (D08) und 4 Schrauben (D10) mit Unterlegscheiben (D20) mit einem Inbusschlüssel (B06) an den Säulen.

9. Entfernen Sie die Abdeckplatte (C15) im Konsolengehäuse.



10. Platzieren Sie den Computer (**B**) an der richtigen Stelle in der Konsole (**D**) und führen Sie die Kabel vom Computer (**B**) durch die Konsole, sodass sie unten aus der Konsole (**D**) herauskommen.
11. Befestigen Sie den Computer (**B**) mit 2 Schrauben (**D10**) und Unterlegscheiben (**D20**) mit einem Inbusschlüssel (**B06**) an der Konsole (**D**).

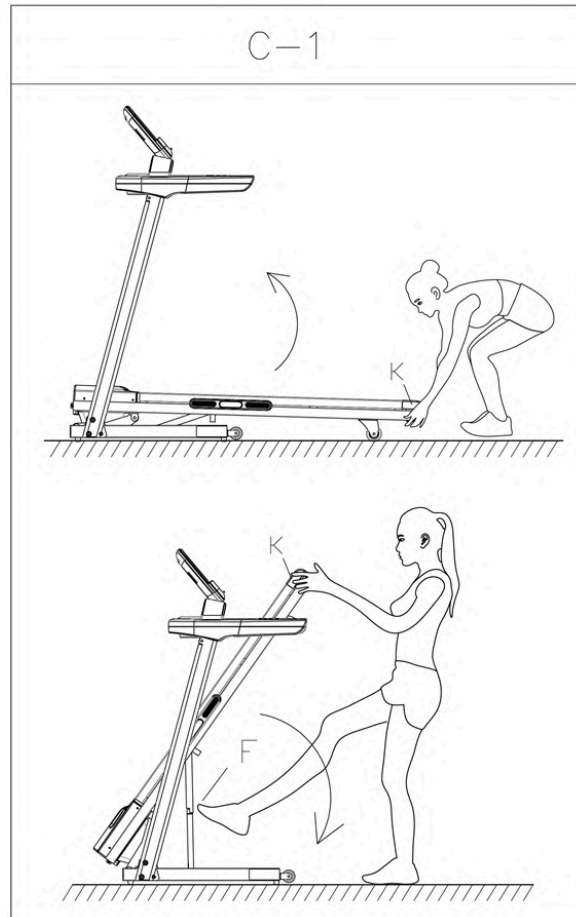
12. Verbinden Sie alle Kabel, die unten aus dem Computer (**B**) und aus der Konsole (**D**) herauskommen, präzise.
13. Befestigen Sie die Abdeckplatte (**C15**) am Konsolengehäuse.



14. Entfernen Sie das Klebeband, das die Basis mit dem Laufband verbindet.

15. Schrauben Sie die Schraube (**b**) ab, die die Basis des Laufbands mit dem Band (**f**) verbindet, das das Anheben des Laufbands blockiert, mit einem Inbusschlüssel (**B06**).
16. Verbinden Sie das Netzkabel mit dem Laufband und der Steckdose.
17. Schmieren Sie das Laufband gemäß den Anweisungen in dieser Bedienungsanleitung.
18. Platzieren Sie den magnetischen Sicherheitsschlüssel (**D**) in den Konsolenschlitz.
19. WICHTIG! Ohne die korrekte Installation des Schlüssels (**D**) funktioniert das Laufband nicht.
20. Das Laufband ist bereit für das Training.

# FALTANLEITUNG



## Anheben des Laufbands

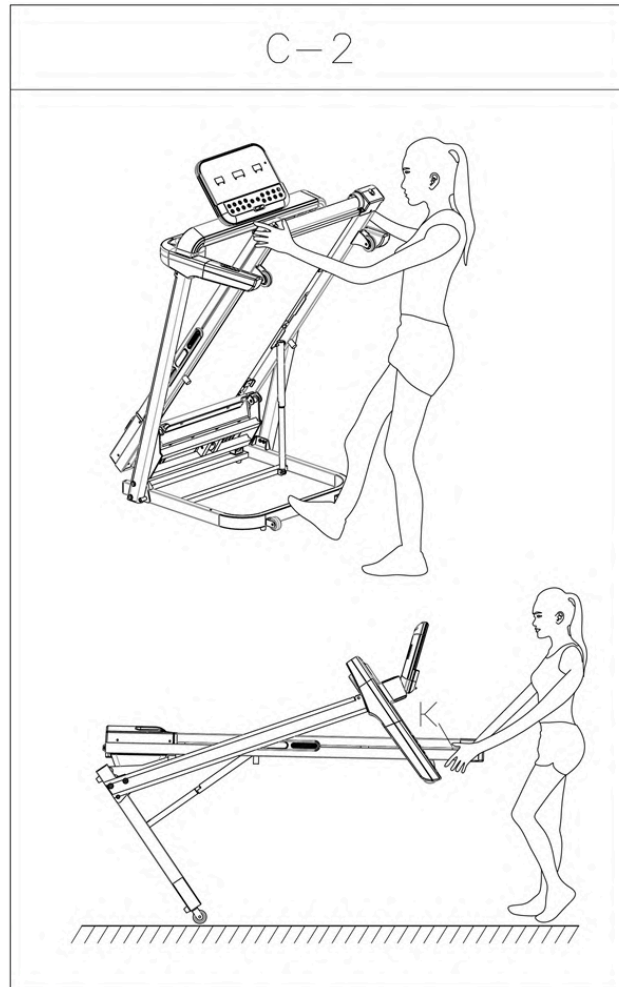
Heben Sie das Laufband (K) an, bis der Mechanismus einrastet. Sie hören ein Klicken, wenn er einrastet.

## Absenken des Laufbands

1. Heben Sie das Laufband (K) leicht an und drücken Sie mit Ihrem Fuß auf den Mechanismus (F), um ihn zu entriegeln.
2. Drücken Sie das Laufband (K) nach unten. Das Laufband beginnt automatisch zu sinken.

**VORSICHT!** Stellen Sie sicher, dass sich während des Absenkens des Laufbands keine anderen Personen, Tiere oder Gegenstände in der Nähe befinden.

# BEWEGUNGSANLEITUNG



1. Heben Sie das Laufband (K) wie auf der vorherigen Seite beschrieben an. Halten Sie mit Ihrem Fuß die Basis des Laufbands an der auf der Abbildung markierten Stelle fest.
  2. Ziehen Sie das Laufband (K) zu sich hin, um das Laufband in die in der Abbildung gezeigte Position zu drehen. Achten Sie darauf, dass sich die Basis des Laufbands in der Anfangsphase der Drehung nicht bewegt.
- VORSICHT!** Das Laufband ist schwer, daher stellen Sie sicher, dass Ihre körperlichen Fähigkeiten ausreichen, bevor Sie das Laufband bewegen.

# BETRIEBSANLEITUNG



## Tastenfunktionen:

1. INSTANT INCLINE: Drücken Sie 3, 6, 9, um die Neigung schnell auszuwählen.
2. INCLINE +: Drücken Sie diese Taste, um die Neigung zu erhöhen.
3. INCLINE -: Drücken Sie diese Taste, um die Neigung zu verringern.
4. PROG: Drücken Sie diese Taste, um zwischen 9 Programmen und einem Körperfett-Test zu wählen.
5. START: Drücken Sie diese Taste, um das Laufband zu starten.
6. INSTANT SPEED: Drücken Sie 3, 6, 9, um die Geschwindigkeit schnell auszuwählen.
7. STOP/PAUSE: Drücken Sie diese Taste, um das Laufband zu pausieren oder zu stoppen.
8. MODE: Drücken Sie die MODE-Taste, um zwischen ZEIT-, ENTFERNUNGS- und KALORIEN-Einstellungen zu wählen.
9. SPEED +: Drücken Sie diese Taste, um die Geschwindigkeit zu erhöhen.
10. SPEED -: Drücken Sie diese Taste, um die Geschwindigkeit zu verringern.



## Media HUB:

1. Kompatibilität und die Möglichkeit, sich über Bluetooth mit Anwendungen wie **FITSHOW, ZWIFT, KINOMAP** zu verbinden.

## Computerfunktionen:

1. **CAL./DIS.:** Anzeige der verbrannten Kalorien und der zurückgelegten Strecke im Wechsel alle 5 Sekunden.
2. **INCLINE/TIME:** Anzeige der Neigung und der gelaufenen Zeit im Wechsel alle 5 Sekunden.
3. **SPEED/PULSE:** Anzeige der aktuellen Geschwindigkeit und der Herzfrequenz des Benutzers. Drücken Sie SPEED +/- , um die Geschwindigkeit des Geräts zu ändern. Halten Sie den Handpulsensor mit beiden Händen fest, der Computer zeigt nach etwa 5 Sekunden den Pulswert des Benutzers an. Diese Daten dienen nur als Referenz und sind nicht für medizinische Zwecke geeignet.
4. **MODE:** Drücken Sie die MODE-Taste, um die ZEIT-, ENTFERNUNGS- und KALORIEN-Einstellungen zu wählen.
  - Drücken Sie SPEED +/- oder INCLINE +/- , um den Zielwert des Trainings einzustellen.
  - Drücken Sie die START-Taste, das Laufband läuft nach 3 Sekunden.
  - Drücken Sie SPEED +/- und INCLINE +/- , um die Geschwindigkeit und die Neigung zu ändern.
5. **PROGRAM:** Drücken Sie die PROG-Taste, um zwischen 9 Programmen und einem Körperfett-Test zu wählen.
  - 2.1. **Einstellung von 9 integrierten Programmen:** Im Standby-Modus drücken Sie die PROG-Taste, die Konsole zeigt 9 Programme, wählen Sie eines der 9 Programme aus.
    - Drücken Sie SPEED +/- oder INCLINE +/- , um die Trainingszeit einzustellen.
    - Jedes Programm kann in 10 Abschnitte unterteilt werden; das Gerät piept 3 Mal, wenn ein neuer Abschnitt beginnt.
    - Drücken Sie SPEED +/- oder INCLINE +/- , um die Geschwindigkeit oder die Neigung während jedes Abschnitts zu ändern.
    - Das Gerät piept 3 Mal und stoppt, wenn das Programm beendet ist.

TIME PROG.		TIME INTERVAL= setting time/10									
		1	2	3	4	5	6	7	8	9	10
P1	SPEED	1	2	3	3	1	2	2	3	2	2
	INCLINE	2	4	3	4	3	5	4	2	5	3
P2	SPEED	1	2	3	3	2	2	3	4	2	2
	INCLINE	2	5	4	6	4	6	4	2	4	2
P3	SPEED	1	2	2	3	1	2	2	2	2	1
	INCLINE	2	5	4	5	4	5	4	2	3	2
P4	SPEED	2	2	3	3	2	2	4	6	2	2
	INCLINE	3	6	7	5	8	5	9	6	4	3
P5	SPEED	1	2	4	3	2	2	4	5	2	1
	INCLINE	3	6	7	5	8	6	7	6	4	3
P6	SPEED	2	2	6	2	3	4	2	2	2	1
	INCLINE	2	8	6	4	5	9	7	5	4	3
P7	SPEED	4	5	6	6	9	9	10	12	6	3
	INCLINE	2	6	7	4	4	7	4	2	4	2
P8	SPEED	3	5	4	4	3	4	4	3	3	2
	INCLINE	2	4	6	8	7	8	6	2	3	2
P9	SPEED	3	5	3	4	2	3	4	2	3	2
	INCLINE	2	4	5	5	6	5	6	3	3	2

**2.2. Körperfett-Test:** Im Standby-Modus drücken Sie die PROG-Taste, bis Sie zu FAT gelangen.

- Drücken Sie die MODE-Taste, um Informationen einzugeben.
- Stellen Sie den Wert mit SPEED +/- oder INCLINE +/- von F-1 bis F-4 ein (F-1 GESCHLECHT, F-2 ALTER, F-3 HÖHE, F-4 GEWICHT).
- Drücken Sie die MODE-Taste, um zu F-5 (KÖRPERFETT-TEST) zu gelangen, halten Sie die Handpulssensoren, die Konsole zeigt Ihren Körperfettwert nach 3 Sekunden an.
- Der Körperfettwert ist nur als Richtwert gedacht und stellt keine medizinischen Daten dar.

F-1	Geschlecht	01 männlich	02 weiblich
F-2	Alter	10-99	
F-3	Größe	100-200 cm	
F-4	Gewicht	20-150 kg	
F-5	Körperfett	≤ 19	Untergewicht
		=(20---25)	Normalgewicht
		=(26---29)	Übergewicht
		≥ 30	Fettleibigkeit

## Weitere Funktionen:

### **Hand Pulse Function (Handpulssensorfunktion):**

Halten Sie den Pulssensor etwa 5 Sekunden lang fest, das Display zeigt den Pulswert des Benutzers an. Diese Daten dienen nur als Referenz und können nicht als medizinische Daten betrachtet werden.

### **Lubrication Remind Function (Schmiererinnerungsfunktion):**

Dieses Gerät verfügt über eine Schmiererinnerungsfunktion. Nach einer Gesamtleistung von 300 km muss Ihr Laufband mit Öl gewartet werden. Das System wird alle 10 Sekunden mit einem Signalton daran erinnern, und das Fenster zeigt "OIL" an. Dies bedeutet, dass Ihr Laufband mit Öl geschmiert werden muss. Schmieren Sie das Laufband gemäß dem nächsten Abschnitt dieses Handbuchs. Nach Abschluss der Schmierung halten Sie die "STOP"-Taste 3 Sekunden lang gedrückt, und der Systemwarnungston erlischt.

### **Energy Saving Function (Energiesparfunktion):**

Um den Energieverbrauch zu reduzieren, wechselt dieses Laufband in den Ruhezustand, wenn 10 Minuten lang keine Aktion ausgeführt wird. Das Display zeigt eine Erinnerung an, bevor es in den Ruhezustand wechselt. Sobald das Gerät in den Ruhezustand wechselt, entfernen Sie den Sicherheitsschlüssel und stecken Sie ihn erneut ein, um das System zu wecken.

### **Error Reminding (Fehleranzeige):**

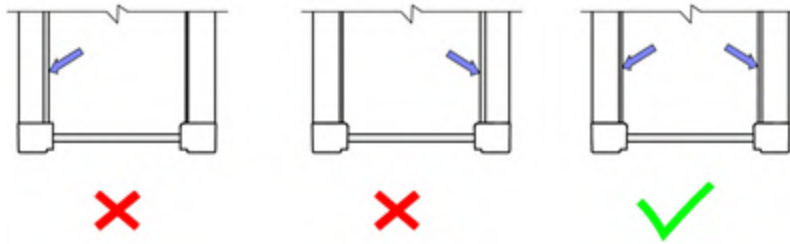
Wenn das Laufband eine Fehlermeldung anzeigt, lesen Sie zuerst den Abschnitt zur FEHLERSUCHE im Handbuch.

## WARTUNG & PFLEGE

Die Reinigung hilft, die Lebensdauer und Leistung Ihres Laufbands zu verlängern. Halten Sie das Gerät sauber und gewartet, indem Sie die Komponenten regelmäßig abstauben. Reinigen Sie beide Seiten des Laufbands, um zu verhindern, dass sich Staub unter dem Band ansammelt. Halten Sie Ihre Laufschuhe sauber, damit der Schmutz Ihrer Schuhe nicht das Laufbrett und das Band abnutzt. Reinigen Sie die Oberfläche des Laufbands mit einem sauberen, feuchten Tuch.

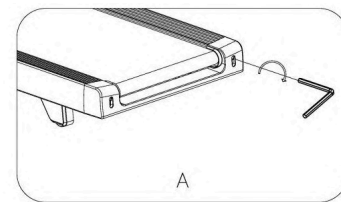
1. Um das Laufband besser zu pflegen und seine Lebensdauer zu verlängern, wird empfohlen, das Gerät alle 2 Stunden für 10 Minuten auszuschalten und immer vollständig auszuschalten, wenn es nicht verwendet wird.
2. Ein lockeres Laufband führt dazu, dass der Läufer beim Laufen abrutscht, während ein zu straffes Laufband die Leistung des Motors verringert und auch die Reibung zwischen der Rolle und den Laufbändern erhöht. Die optimale Spannung des Laufbands ist, wenn es manuell 50-75 mm vom Deck herausgezogen werden kann.

## Zentrieren des Laufbands:

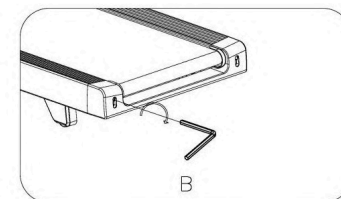


Stellen Sie das Laufband auf eine ebene Fläche und stellen Sie es auf 6-8 km/h ein, um zu überprüfen, ob das Laufband zentriert ist. Das Band ist zentriert, wenn die Abstände von den rechten und linken Seiten des Laufbands zu den Seitenelementen gleich sind.

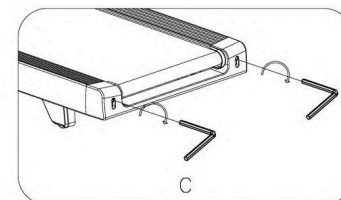
1. Wenn sich das Laufband nach **rechts** bewegt, drehen Sie die Einstellschraube auf der rechten Seite  $\frac{1}{4}$  Umdrehung im Uhrzeigersinn, dann drehen Sie die linke Einstellschraube  $\frac{1}{4}$  Umdrehung gegen den Uhrzeigersinn. Wenn sich das Band nicht bewegt, wiederholen Sie diesen Schritt, bis es zentriert ist. Siehe Abbildung A.



2. Wenn sich das Laufband nach **links** bewegt, drehen Sie die Einstellschrauben auf der linken Seite  $\frac{1}{4}$  Umdrehung im Uhrzeigersinn, dann drehen Sie die rechte Einstellschraube  $\frac{1}{4}$  Umdrehung gegen den Uhrzeigersinn. Wenn sich das Band nicht bewegt, wiederholen Sie diesen Schritt, bis es zentriert ist. Siehe Abbildung B.



3. Mit der Zeit wird das Laufband locker. Um das Band zu straffen, drehen Sie die linken und rechten Einstellschrauben eine volle Umdrehung im Uhrzeigersinn, überprüfen Sie die Spannung des Bandes. Wiederholen Sie diesen Vorgang, bis das Band die richtige Spannung erreicht hat. Stellen Sie sicher, dass beide Seiten gleichmäßig eingestellt sind, um eine korrekte Bandausrichtung zu gewährleisten. Siehe Abbildung C.



## SCHMIEREN DES LAUFBANDS

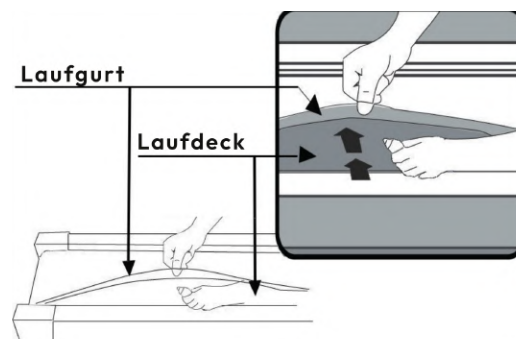
**Wichtiger Hinweis:** Sie müssen Ihr Laufband vor der ersten Benutzung schmieren.

**Laufband und Laufbrett schmieren:** Das Schmieren des Laufbretts und des Laufbands ist unerlässlich, da die Reibung zwischen den beiden die Lebensdauer und Funktion des Laufbands beeinflusst. Daher wird empfohlen, das Laufbrett und das Band regelmäßig zu überprüfen.

**Warnung:** Trennen Sie das Laufband immer von der Stromversorgung, bevor Sie das Gerät reinigen, schmieren oder reparieren.

## Wie schmiert man:

1. Heben Sie das Laufband auf einer Seite an und tragen Sie Schmiermittel auf das Laufdeck auf. Wiederholen Sie diesen Vorgang für die andere Seite des Laufbands. **Stellen Sie sicher, dass das Schmiermittel die Mitte des Laufbands erreicht.** Schalten Sie das Laufband ein und stellen Sie es für 5 Minuten auf eine Geschwindigkeit von 3 km/h, um das Schmiermittel zu verteilen. Die richtige Menge Schmiermittel für eine Schmierung beträgt **etwa 4 ml**, d.h. die im Set enthaltene 20 ml Tube sollte für 5 Schmierungen ausreichen.
2. Die beweglichen Teile sollten sich frei und leise drehen. Unregelmäßigkeiten der beweglichen Teile beeinträchtigen die Sicherheit des Geräts. Überprüfen und ziehen Sie regelmäßig die Schrauben fest.
3. Um das Laufband besser zu warten und seine Lebensdauer zu verlängern, wird empfohlen, die Wartung regelmäßig durchzuführen.



### Der folgende Zeitplan wird empfohlen:

Leichter Benutzer (weniger als 3 Stunden/Woche) - alle sechs Monate

Mittlerer Benutzer (3-5 Stunden/Woche) - alle drei Monate

Schwerer Benutzer (mehr als 5 Stunden/Woche) - alle zwei Monate

## TECHNISCHE DATEN

Modellname:	Gymio Run Flex
Stromversorgung:	AC 220-240V 50-60Hz
Motortyp:	DC
Spitzenleistung:	1.75 HP (1290 W)
Dauerleistung:	1.0 HP (750 W)
Steigungsverstellung:	Automatisch elektronisch gesteuert
Steigungsstufen:	12 Stufen - maximale Steigung 10%
Lauffläche:	132 x 42 cm
Nettogewicht:	58 kg
Bruttogewicht:	67 kg
Anwendungsklasse:	Klasse H
Genauigkeitsklasse:	Klasse A
Geschwindigkeit:	0.8 - 14 km/h
Standards und Zertifikate:	CE, EN ISO 20957-1:2013, EN 957-6:2010 + A1:2014
Verwendungszweck:	Elektrisches Laufband für den Heimgebrauch
Maximales Benutzergewicht:	100 kg

# FEHLERSUCHE

PROBLEM	MÖGLICHE URSACHE	LÖSUNG
Laufband startet nicht	Nicht eingesteckt.	Stecken Sie das Netzkabel in die Steckdose.
	Sicherheitsschlüssel nicht eingesetzt.	Setzen Sie den Sicherheitsschlüssel ein.
Laufband nicht zentriert	Laufbandspannung nicht korrekt auf der linken oder rechten Seite des Laufbretts.	Zentrieren Sie das Laufband gemäß dieser Anleitung.
Computer funktioniert nicht	Kabel vom Computer und der Konsolenplatine sind nicht richtig angeschlossen.	Überprüfen Sie die Kabelverbindungen vom Computer zur Steuerplatine.
	Transformator ist beschädigt.	Wenn der Transformator beschädigt ist, wenden Sie sich an den Kundenservice.
E01 oder E13: Kommunikationsfehler	Kabel vom Computer und der Konsolenplatine sind nicht richtig angeschlossen.	Überprüfen Sie die Kabelverbindungen vom Computer zur Konsolenplatine. Wenn es korrekt ist und das Problem weiterhin besteht, wenden Sie sich an den Kundenservice.
E02: Schutz vor Überstrom	Die Eingangsspannung ist niedriger als 50 % der erforderlichen Spannung.	Überprüfen Sie, ob die Eingangsspannung korrekt ist.
E03: Kein Geschwindigkeitssensorsignal	Das Geschwindigkeitssensorsignal kann nicht von der Steuerplatine empfangen werden.	Überprüfen Sie, ob das Sensorkabel richtig angeschlossen ist. Wenn es korrekt ist und das Problem weiterhin besteht, wenden Sie sich an den Kundenservice.
E04: Steigungsfehler	Der Steigungsmotor ist beschädigt oder das Kabel für den Steigungsmotor ist nicht richtig angeschlossen oder beschädigt.	Überprüfen Sie alle Kabelverbindungen, die während der ersten Montage hergestellt wurden, und wenn das Problem weiterhin besteht, wenden Sie sich an den Kundenservice.
E05: Schutz vor Überstrom (Selbstschutzsystem)	Die Eingangsspannung ist zu niedrig oder zu hoch.	Ein bewegliches Teil des Laufbands ist blockiert und daher kann der Motor nicht richtig drehen.
	Starten Sie das Laufband neu. Überprüfen Sie die Eingangsspannung, um sicherzustellen, dass sie korrekt ist.	Überprüfen Sie die beweglichen Teile des Laufbands, um sicherzustellen, dass sie richtig funktionieren. Überprüfen Sie, ob das Gewicht des Benutzers das Limit nicht überschreitet.
E06: Motorfehler	Das Motorkabel ist nicht angeschlossen oder der Motor ist beschädigt.	Überprüfen Sie alle Kabelverbindungen, die während der ersten Montage hergestellt wurden, und wenn das Problem weiterhin besteht, wenden Sie sich an den Kundenservice.
E08: Konsolenfehler	Die Konsole ist nicht angeschlossen.	Überprüfen Sie, ob alle Kabelverbindungen richtig angeschlossen sind. Wenn es korrekt ist und das Problem weiterhin besteht, wenden Sie sich an den Kundenservice.
E10: Motorfehler	Der Motor ist beschädigt oder ein bewegliches Teil des Laufbands ist blockiert und daher kann der Motor nicht richtig drehen.	Überprüfen Sie die beweglichen Teile des Laufbands, um sicherzustellen, dass sie richtig funktionieren. Überprüfen Sie, ob das Gewicht des Benutzers das Limit nicht überschreitet.

## Manuál bezpečnosti

- Před instalací a provozem si pečlivě přečtěte tento provozní manuál.
- Prosím, uchovejte si tento manuál na budoucnost.
- Vzhledem k aktualizacím modelu se produkt může mírně lišit od obrázků v položce.

# INFORMACE O BEZPEČNOSTI

**VAROVÁNÍ** - Přečtěte si všechny pokyny před použitím tohoto běžeckého pásu. Je důležité, aby váš běžecký pás pravidelně procházel údržbou, aby se prodloužila jeho životnost. Nedodržení pravidelné údržby může zrušit záruku.

- **Nebezpečí:** Pro snížení rizika úrazu elektrickým proudem odpojte běžecký pás z elektrické zásuvky před čištěním a/nebo servisními pracemi.
- Nepoužívejte prodlužovací kabely a používejte pouze originální napájecí kabel. Udržujte napájecí kabel vzdálený od zdrojů tepla. Nepoužívejte běžecký pás, pokud je napájecí kabel nebo zástrčka poškozena.
- Běžecký pás by měl být připojen k uzemněné elektrické zásuvce s odpovídajícím napětím a proudovou frekvencí.
- Ujistěte se, že zařízení stojí na stabilním a rovném povrchu během používání. Zadní část běžeckého pásu by měla být bez překážek, udržujte alespoň 1 metr volného prostoru od pevných objektů.
- Neblokujte zadní část běžeckého pásu. Udržujte minimálně 1 metr volného prostoru mezi zadní částí běžeckého pásu a pevným objektem.
- Nepoužívejte běžecký pás na měkkých, tlustých kobercích, protože to může vést k poškození koberce i vybavení.
- Při běhu mějte vždy plastový bezpečnostní klip připevněný k vašemu oblečení, který běžecký pás rychle zastaví v případě pádu.
- Držte ruce stranou od všech pohyblivých částí.
- Nikdy neopouštějte ani nevkládejte žádný objekt do jakýchkoliv otvorů.
- Nikdy nedovolte dětem a domácím zvířatům na běžeckém pásu nebo v jeho blízkosti.
- Nepoužívejte běžecký pás v oblastech, kde se používají aerosolové produkty nebo kde se podává kyslík, abyste předešli nebezpečí zničení motoru.
- Běžecký pás je určen pouze pro domácí použití a není vhodný pro dlouhý běh.
- Běžecký pás není určen pro děti - nedovolujte jim přístup k zařízení.
- Při používání běžeckého pásu nosíte vhodné sportovní boty.
- Používejte dodané madla; jsou pro vaši bezpečnost.
- Snímače pulsu nejsou lékařskými zařízeními. Různé faktory, včetně pohybu uživatele, mohou ovlivnit přesnost měření tepové frekvence. Snímače pulsu jsou určeny pouze jako pomůcky při cvičení k určení obecných trendů tepové frekvence.
- Pro odpojení přepněte všechny ovladače do polohy vypnuto, vyjměte bezpečnostní klíč a poté odpojte zástrčku ze zásuvky.
- Povolená teplota: 5 až 40 stupňů.



- **Po použití běžeckého trenážeru vyjměte bezpečnostní klíč, abyste zabránili neoprávněnému provozu běžeckého pásu.**

## DŮLEŽITÉ ELEKTRICKÉ INFORMACE

### **VAROVÁNÍ**

**NIKDY nepoužívejte zásuvku se zařízením pro přerušení spojení s uzemněním (GFCI) s tímto běžeckým pásem. Vede zástrčku napájecího kabelu způsobem, který je vzdálený od jakéhokoli pohyblivé části běžeckého pásu, včetně zdvihového mechanismu a transportních kol. NIKDY neprovádějte provoz běžeckého pásu na napájení ze generátoru nebo UPS. NIKDY neodstraňujte žádný kryt bez předchozího odpojení napájení střídavým proudem. NIKDY nevystavujte tento běžecký pás dešti nebo vlhkosti. Tento běžecký pás není navržen pro používání venku, poblíž bazénu nebo v jakémkoli jiném prostředí s vysoko u vlhkostí.**

- **VAROVÁNÍ:** Tato běžecký pás vyžaduje správný zdroj napájení pro správný provoz. Pro vaši bezpečnost, stejně jako bezpečnost ostatních, ověřte prosím, zda je napájecí zdroj správný, než zapojíte zařízení. Jakýkoli nesprávný zdroj napájení může způsobit značné poškození zařízení nebo uživatele. Správný zdroj napájení je **AC 220-240V 50-60Hz**.
- **METODY ZEMNĚNÍ:** Tento výrobek musí být uzemněn. Uzemnění poskytuje nejmenší odpor pro elektrický proud a snižuje riziko úrazu elektrickým proudem. **Zástrčka musí být zapojena do vhodného zásuvky, která je správně nainstalována a uzemněna v souladu se všemi místními předpisy a nařízeními.** Ujistěte se, že je výrobek připojen k zásuvce se stejnou konfigurací jako zástrčka. **Nepoužívejte adaptér k připojení běžecké dráhy k elektrické zásuvce.**
- **NEBEZPEČÍ:** Nesprávné připojení uzemňovacího vodiče zařízení může způsobit riziko úrazu elektrickým proudem. Pokud máte pochybnosti, zda je výrobek správně uzemněn, konzultujte s certifikovaným elektrikářem. Neprovádějte úpravy zástrčky dodané s výrobkem. Pokud neodpovídá zásuvce, nechte nainstalovat správnou zásuvku elektrikářem.

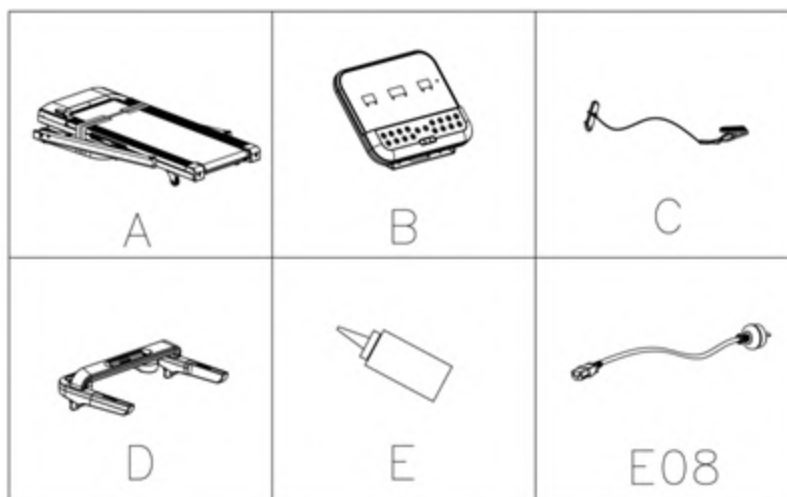
## BEZPEČNOST POUŽITÍ

- Před prvním použitím si přečtěte a porozumějte celému provoznímu manuálu.
- Zasuňte napájecí zástrčku přímo do zásuvky, aniž byste používali prodlužovací kabel.
- Používejte běžecký pás po dobu nejvýše 2 hodin nepřetržitého běhu.
- Mějte na paměti, že změny rychlosti a sklonu nenastanou okamžitě. Nastavte požadovanou rychlost na počítačové konzoli a uvolněte tlačítko nastavení. Počítač bude příkazu postupně vyhovávat.
- Buďte opatrní při účasti na jiných aktivitách při chůzi na běžeckém pásu, jako je sledování televize, čtení atd. Tyto rozptýlení mohou způsobit ztrátu rovnováhy nebo odchýlení od chůze ve středu pásu, což může vést k vážnému zranění.

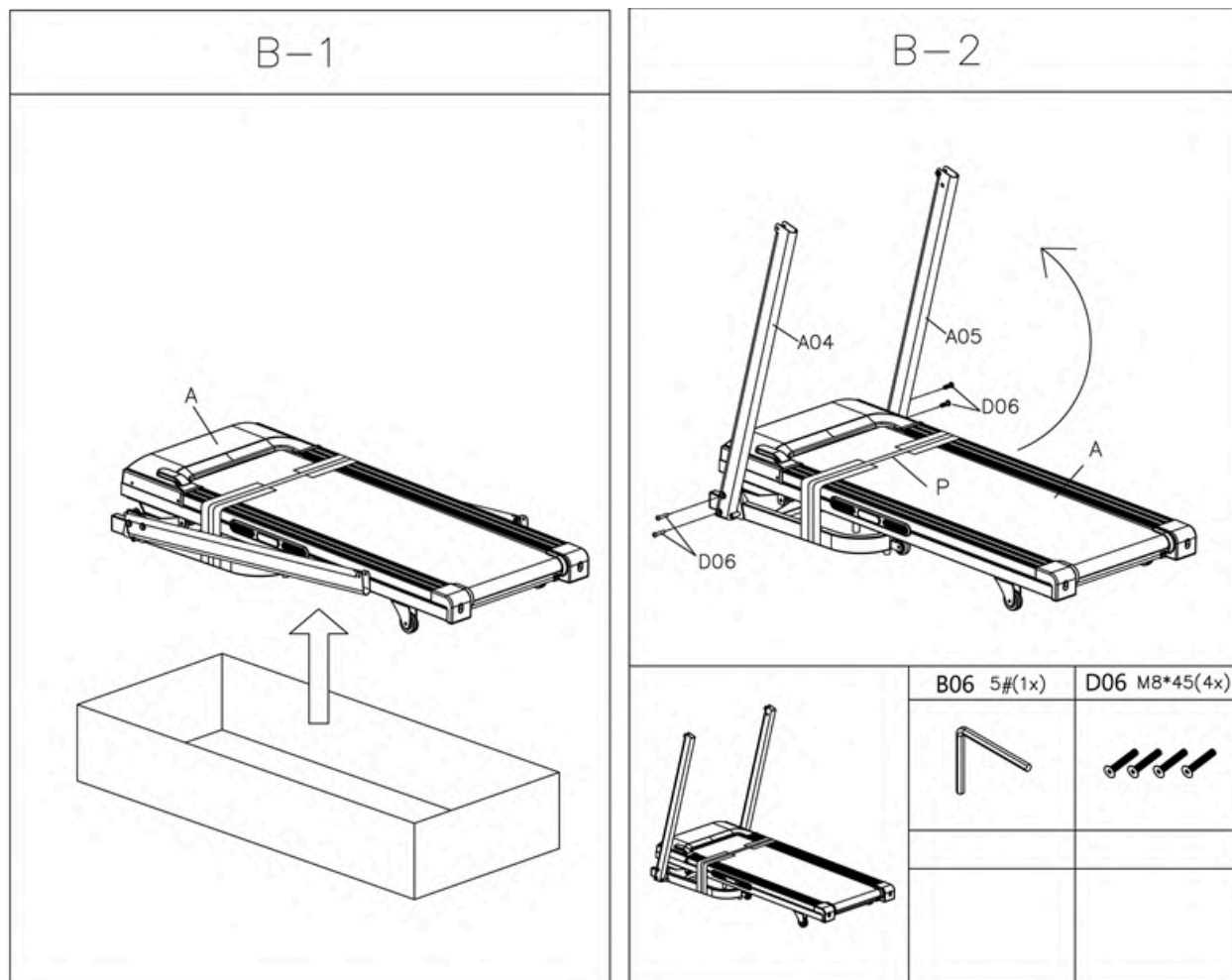
- Abychom zabránili ztrátě rovnováhy a neočekávanému zranění, NIKDY nevstupujte ani nevystupujte z běžeckého pásu, když je pás v pohybu. Tato jednotka začíná s velmi nízkou rychlostí. Stát na pásu během pomalého zrychlení je vhodné po tom, co jste se učili obsluhovat toto zařízení.
- Při provádění změn v ovládacím systému vždy držte rukojeť
- S touto strojem je dodán bezpečnostní klíč. Vyjmutí bezpečnostního klíče okamžitě zastaví chodící pás; běžecký pás se automaticky vypne. Vložení bezpečnostního klíče resetuje displej.
- Nepoužívejte nadměrný tlak na tlačítka ovládání konzoly. Jsou přesně nastavena tak, aby správně fungovala s malým tlakem prstu.
- K tomuto zařízení je dodán bezpečnostní klíč. Vyjmutí bezpečnostního klíče okamžitě zastaví běžecký pás; běžecký pás se automaticky vypne. Vložení bezpečnostního klíče resetuje displej.
- Nepoužívejte nadměrný tlak na tlačítka ovládání konzoly. Jsou přesně nastavena tak, aby správně fungovala s malým tlakem prstu.
- Toto zařízení není určeno pro použití osobami (včetně dětí) s omezenými fyzickými, smyslovými nebo duševními schopnostmi nebo nedostatkem zkušeností a znalostí, pokud jim nebyl poskytnut dohled nebo výuka o používání zařízení osobou odpovědnou za jejich bezpečnost. Děti by měly být dohlíženy, aby se zajistilo, že s zařízením nehrají.
- Před zahájením cvičení se porad'te s lékařem, abyste zajistili, že nemáte žádné kontraindikace pro cvičení na tomto zařízení. To platí zejména pro osoby starší 35 let, ty s chronickými onemocněními a těhotné nebo kojící ženy.
- V případě závratě, nadměrné plnosti, bolesti na hrudi nebo jiných znepokojujících příznaků během cvičení okamžitě přestaňte cvičit a konzultujte s lékařem. Mějte na paměti, že nadměrné cvičení může být nebezpečné pro vaše zdraví a život.
- Po cvičení na našem běžeckém pásu déle než 20 minut pijte dostatek vody.
- Nezapomeňte pravidelně mazat běžecký pás.
- Nepřekračujte maximální váhové omezení uvedené pro toto zařízení. Informace o maximální váze můžete nalézt na štítku zařízení.


# MONTÁŽNÍ NÁVOD

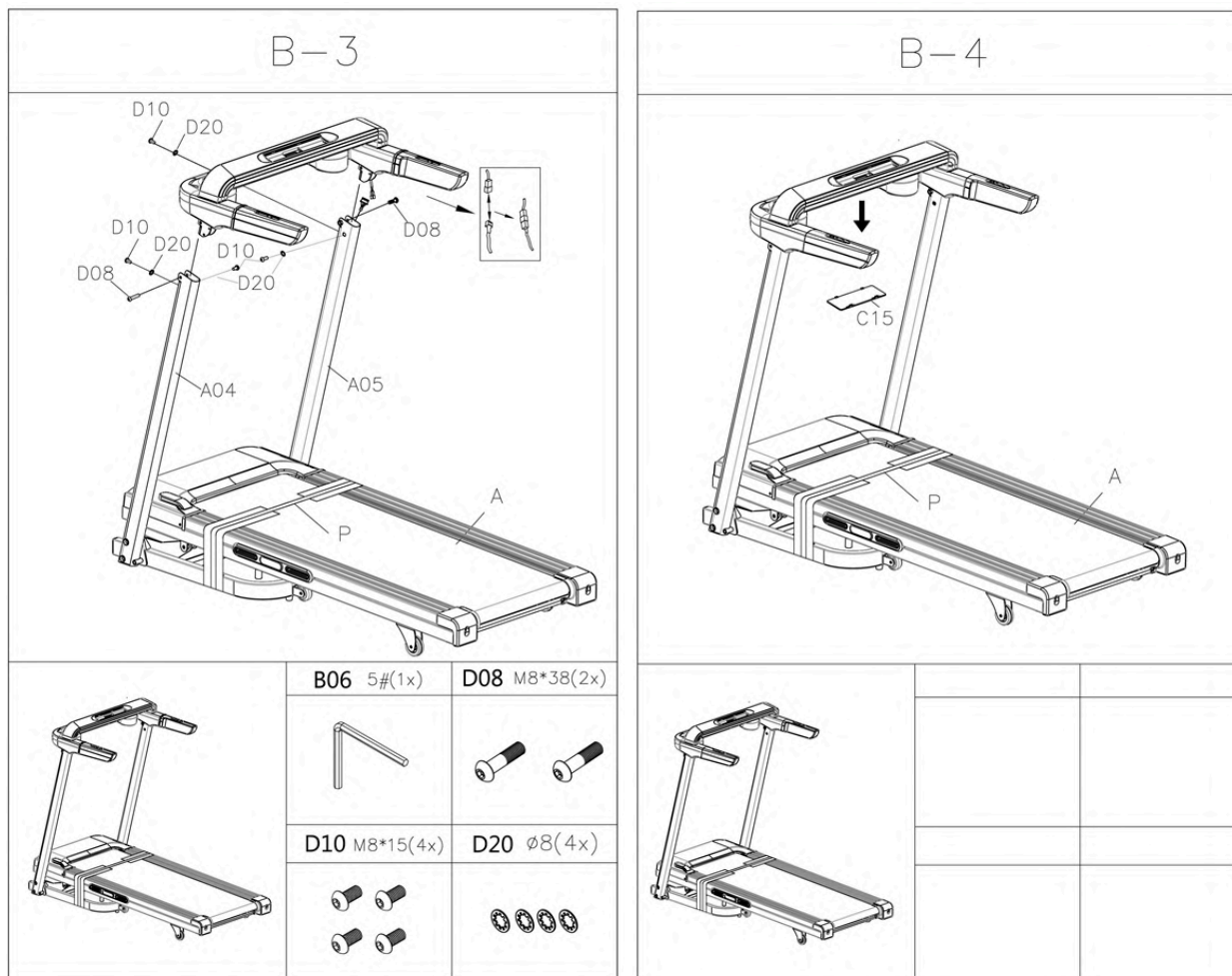
Obsah balení:



Č.	Popis	ks	Č.	Popis	ks
A	Hlavní rám	1	D	Konzole	1
B	Počítač	1	E	Silikonový olej	1
C	Bezpečnostní klíč	1	E08	Napájecí kabel	1



1. Položte krabici na rovný povrch ve správné poloze podle označení  .
2. Otevřete krabici a nejprve vyjměte konzoli (D) a počítač (B), které jsou umístěny nahoře na hlavním rámu (A).
3. Vytáhněte hlavní rám (A) z krabice. Tato činnost vyžaduje dvě osoby. Při zvedání se mohou sloupy (A04 & A05) otáčet a dotknout se podlahy. Zajistěte je, aby nespadly.
4. Zvedněte sloupy (A04 & A05) a připevněte je k rámu pomocí 4 šroubů (D06) za použití imbusového klíče (B06).

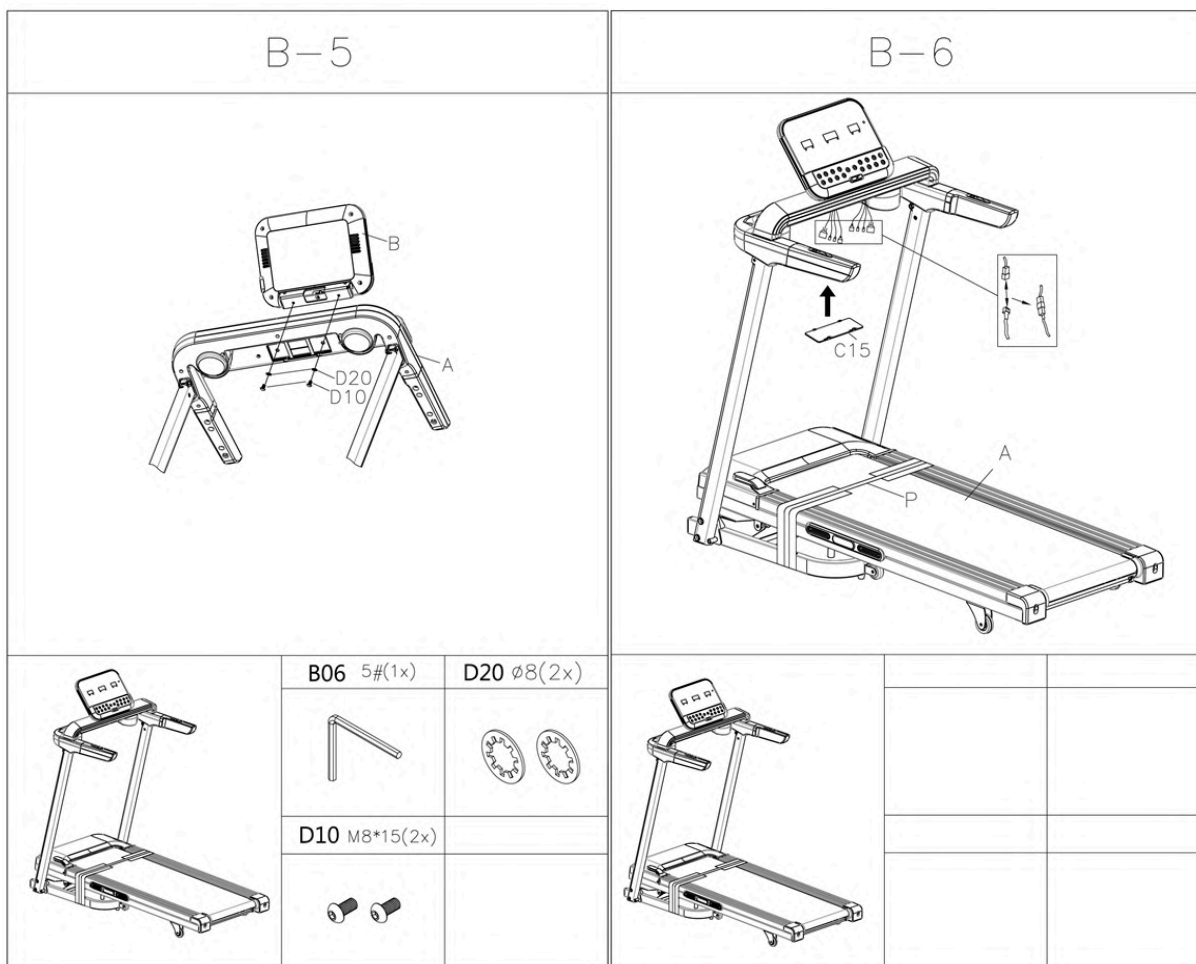


5. Držte konzoli (**D**) nad sloupy a přesně připojte kabel, který vychází ze sloupu, kabelem pod konzolí.

**POZOR! Tato činnost vyžaduje dvě osoby.**

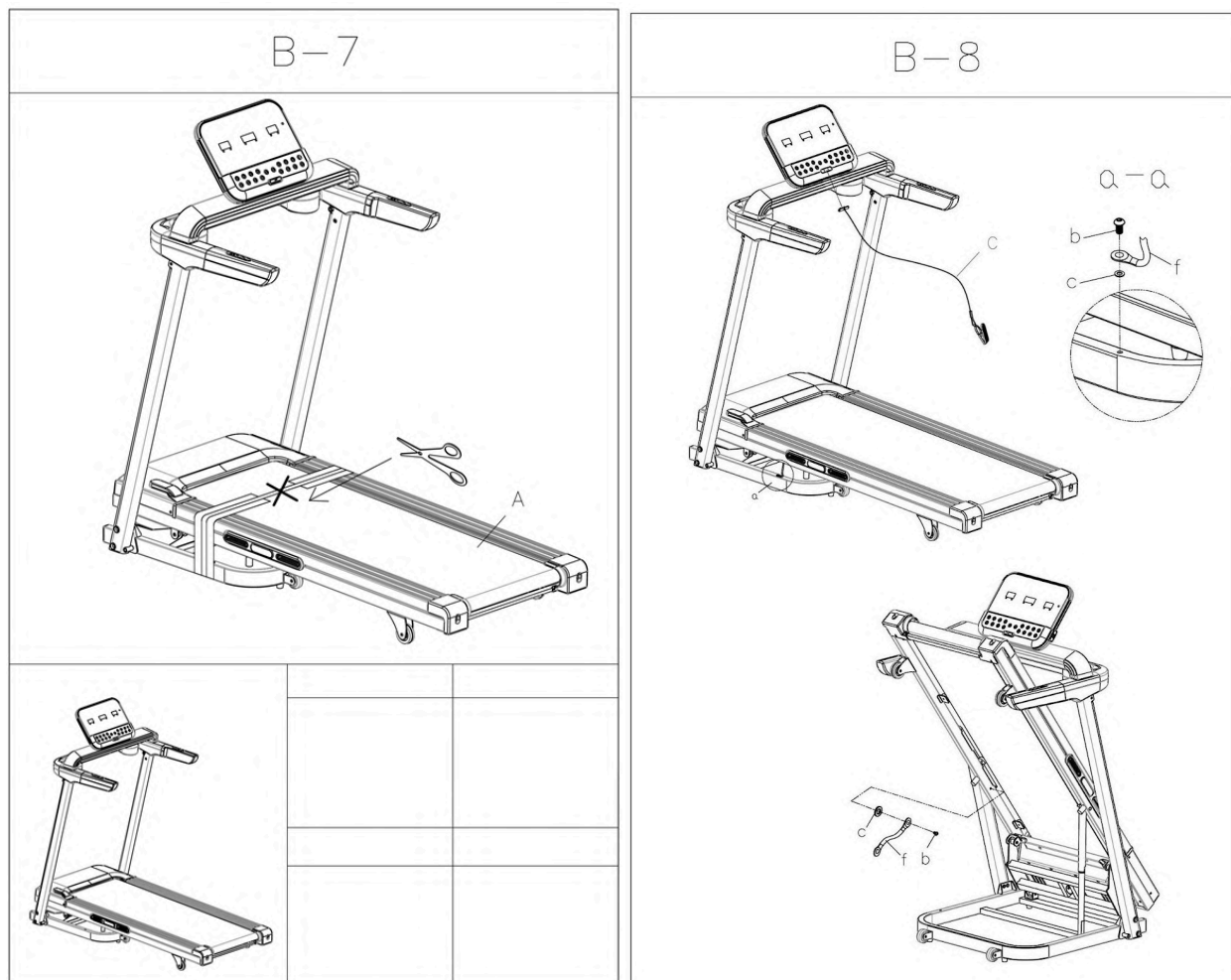
6. Po připojení kabelů **odstříhnete stahovací pásku**, která drží kabel vycházející ze sloupu, a pásku odstraňte.
7. Umístěte konzoli (**D**) na sloupy a dbejte na to, aby nedošlo ke **stlačení nebo přerušení** komunikačního kabelu.
8. Připevněte konzoli (**D**) ke sloupům pomocí 2 šroubů (**D08**) a 4 šroubů (**D10**) s podložkami (**D20**) za použití imbusového klíče (**B06**).

9. Odstraňte krycí desku (**C15**) z krytu konzole.



10. Umístěte počítač (B) na správné místo v konzoli (D) a prostrčte kabely z počítače (B) přes konzoli tak, aby vycházely ze spodní části konzole (D).
11. Připevněte počítač (B) ke konzoli (D) pomocí 2 šroubů (D10) a podložek (D20) za použití imbusového klíče (B06).

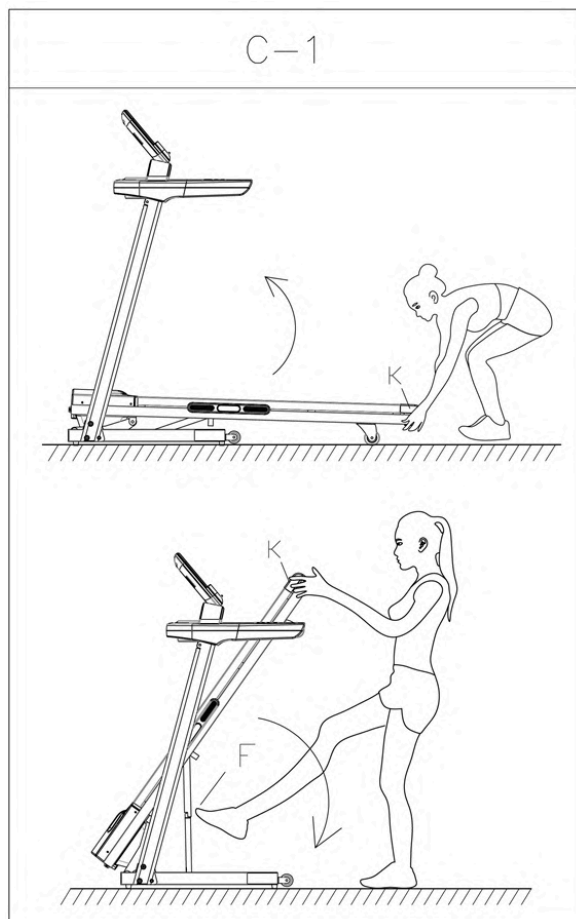
12. **Přesně připojte** všechny kabely vycházející ze spodní části počítače (B) a konzole (D).
13. Připevněte krycí desku (C15) na kryt konzole.



14. Odstraňte pásku spojující základnu s běžecím pásem.

15. Odšroubujte šroub (b) spojující základnu běžecího pásu s páskou (f) blokující zvedání běžecího pásu za použití imbusového klíče (B06).
16. Připojte napájecí kabel k běžecímu pásu a elektrické zásuvce.
17. Namažte běžecí pás podle pokynů v tomto návodu.
18. Umístěte magnetický bezpečnostní klíč (D) do slotu na konzoli.
- DŮLEŽITÉ!** Bez správné instalace klíče (D) nebude běžecí pás fungovat.
19. Běžecí pás je připraven k použití.

# NÁVOD NA SKLÁDÁNÍ



## Zvedání běžeckého pásu

Zvedněte běžecký pás (**K**), dokud mechanismus, který brání jeho spadnutí, nezaklapne. Při zajištění uslyšíte cvaknutí.

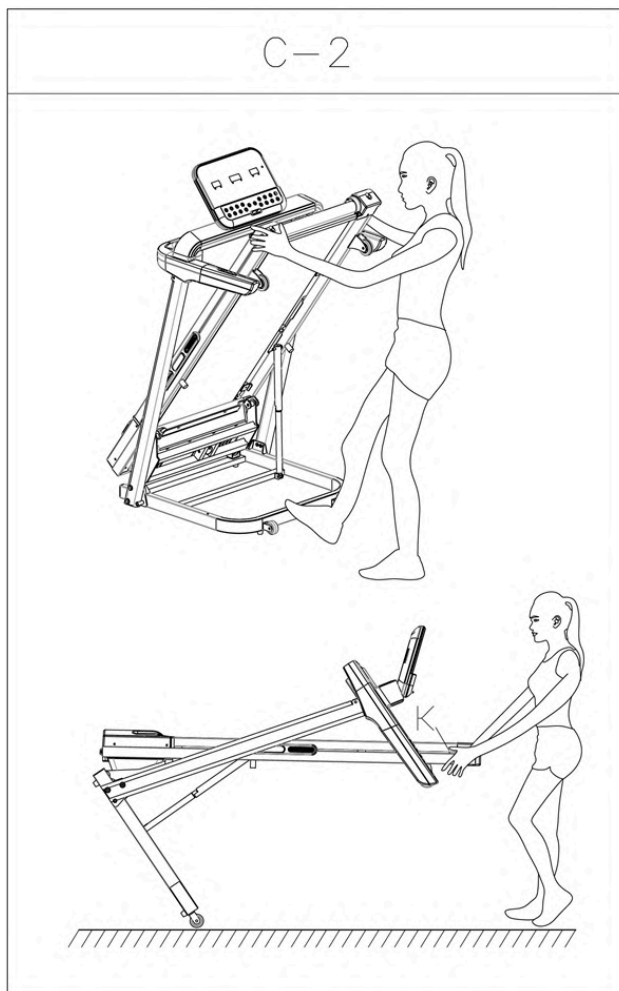
## Spouštění běžeckého pásu

1. Lehce zvedněte běžecký pás (**K**) a nohou zatlačte na mechanismus (**F**) pro jeho odblokování.
2. Stiskněte běžecký pás (**K**) dolů. Běžecký pás začne automaticky klesat.

**POZOR!** Ujistěte se, že během spouštění běžeckého pásu nejsou v blízkosti žádní lidé, zvířata ani předměty.



# NÁVOD NA PŘESOUVÁNÍ



1. Zvedněte běžecký pás (**K**) podle pokynů na předchozí stránce. Držte základnu běžeckého pásu nohou na místě označeném na obrázku.
  2. Tahem za běžecký pás (**K**) otočte běžecký pás do polohy zobrazené na obrázku. Dávejte pozor, aby se základna běžeckého pásu v počáteční fázi otáčení nepohnula.
- POZOR!** Běžecký pás je těžký, proto se před přesouváním běžeckého pásu ujistěte, že to vaše fyzické schopnosti umožňují.

# NÁVOD K OBSLUZE



## Funkce tlačítek:

1. INSTANT INCLINE: Stiskněte 3, 6, 9 pro rychlé nastavení sklonu.
2. INCLINE +: Stiskněte toto tlačítko pro zvýšení sklonu.
3. INCLINE -: Stiskněte toto tlačítko pro snížení sklonu.
4. PROG: Stiskněte toto tlačítko pro výběr mezi 9 programy a testem tělesného tuku.
5. START: Stiskněte toto tlačítko pro spuštění běžeckého pásu.
6. INSTANT SPEED: Stiskněte 3, 6, 9 pro rychlé nastavení rychlosti.
7. STOP/PAUSE: Stiskněte toto tlačítko pro pozastavení nebo zastavení běžeckého pásu.
8. MODE: Stiskněte tlačítko MODE pro volbu mezi nastavením ČASU, VZDÁLENOSTI, KALORIÍ.
9. SPEED +: Stiskněte toto tlačítko pro zvýšení rychlosti.
10. SPEED -: Stiskněte toto tlačítko pro snížení rychlosti.

## Media HUB:

1. Kompatibilita a možnost připojení k aplikacím jako **FITSHOW, ZWIFT, KINOMAP** přes Bluetooth.

## Funkce počítače:

1. **CAL./DIS.:** Zobrazuje střídavě každých 5 sekund spálené kalorie a ujetou vzdálenost.
2. **INCLINE/TIME:** Zobrazuje střídavě každých 5 sekund sklon a čas běhu.
3. **SPEED/PULSE:** Zobrazuje střídavě aktuální rychlost a srdeční tep uživatele. Stiskněte SPEED +/-, abyste změnili rychlost. Držte ruce na pulzních senzorech, počítač po 5 sekundách zobrazí tepovou frekvenci uživatele. Tyto údaje jsou pouze orientační a nemohou být považovány za lékařské údaje.
4. **MODE:** Stiskněte tlačítko MODE pro vstup do nastavení ČASU, VZDÁLENOSTI, KALORIÍ.
  - Stiskněte SPEED +/- nebo INCLINE +/-, abyste nastavili cílovou hodnotu tréninku.
  - Stiskněte tlačítko START, běžecký pás se spustí po 3 sekundách.
  - Stiskněte SPEED +/- a INCLINE +/-, abyste upravili rychlost a sklon.
5. **PROGRAM:** Stiskněte tlačítko PROG, abyste zvolili mezi 9 programy a testem tělesného tuku.
  - 2.1. **9 vestavěných programů:** V pohotovostním režimu stiskněte tlačítko PROG, konzole zobrazí 9 programů, vyberte jeden z nich.
    - Stiskněte SPEED +/- nebo INCLINE +/-, abyste nastavili čas tréninku.
    - Každý program je rozdělen do 10 sekcí; zařízení 3krát zapípá při zahájení nové sekce.
    - Stiskněte SPEED +/- nebo INCLINE +/-, abyste během každé sekce změnili rychlost nebo sklon.
    - Zařízení 3krát zapípá a zastaví se, když program skončí.

PROG.	TIME	TIME INTERVAL= setting time/10									
		1	2	3	4	5	6	7	8	9	10
P1	SPEED	1	2	3	3	1	2	2	3	2	2
	INCLINE	2	4	3	4	3	5	4	2	5	3
P2	SPEED	1	2	3	3	2	2	3	4	2	2
	INCLINE	2	5	4	6	4	6	4	2	4	2
P3	SPEED	1	2	2	3	1	2	2	2	2	1
	INCLINE	2	5	4	5	4	5	4	2	3	2
P4	SPEED	2	2	3	3	2	2	4	6	2	2
	INCLINE	3	6	7	5	8	5	9	6	4	3
P5	SPEED	1	2	4	3	2	2	4	5	2	1
	INCLINE	3	6	7	5	8	6	7	6	4	3
P6	SPEED	2	2	6	2	3	4	2	2	2	1

	INCLINE	2	8	6	4	5	9	7	5	4	3
P7	SPEED	4	5	6	6	9	9	10	12	6	3
	INCLINE	2	6	7	4	4	7	4	2	4	2
P8	SPEED	3	5	4	4	3	4	4	3	3	2
	INCLINE	2	4	6	8	7	8	6	2	3	2
P9	SPEED	3	5	3	4	2	3	4	2	3	2
	INCLINE	2	4	5	5	6	5	6	3	3	2

**2.2. Test tělesného tuku:** V pohotovostním režimu stiskněte tlačítko PROG, dokud nedojdete k FAT.

- Stiskněte tlačítko MODE pro zadání informací.
- Nastavte hodnoty pomocí SPEED +/- nebo INCLINE +/- od F-1 do F-4 (F-1 POHLAVÍ, F-2 VĚK, F-3 VÝŠKA, F-4 VÁHA).
- Stiskněte tlačítko MODE pro vstup do F-5 (F-5 TEST TĚLESNÉHO TUKU), držte ruce na pulzních senzorech, konzole po 3 sekundách zobrazí hodnotu tělesného tuku.
- Hodnota tělesného tuku je pouze orientační a nepředstavuje lékařská data.

F-1	Pohlaví	01 muž	02 žena
F-2	Věk	10-99	
F-3	Výška	100-200 cm	
F-4	Hmotnost	20-150 kg	
F-5	Tělesný tuk	≤ 19	Podváha
		=(20---25)	Normální váha
		=(26---29)	Nadváha
		≥ 30	Obezita

## Další funkce:

### Hand Pulse Function (Funkce snímače srdečního tepu):

Držte snímač srdečního tepu přibližně 5 sekund, displej zobrazí hodnotu srdečního tepu uživatele. Tyto údaje jsou pouze orientační a nelze je považovat za lékařské údaje.

### Lubrication Remind Function (Funkce připomenutí mazání):

Toto zařízení má funkci připomenutí mazání. Po celkové běžecké vzdálenosti 300 km je třeba váš běžecký pás namazat olejem. Systém bude každých 10 sekund připomínat signálem a okno zobrazí „OIL“. To znamená, že váš běžecký pás je třeba namazat olejem. Namažte běžecký pás podle následujícího oddílu této příručky. Po dokončení mazání držte tlačítko „STOP“ po dobu 3 sekund a zvuk varování systému se vypne.

**Energy Saving Function (Funkce úspory energie):**

Aby se snížila spotřeba energie, přejde tento běžecký pás do režimu spánku, pokud po dobu 10 minut není provedena žádná akce. Displej zobrazí připomínku před přechodem do režimu spánku. Jakmile zařízení přejde do režimu spánku, vyjměte bezpečnostní klíč a znovu jej vložte, abyste probudili systém.

**Error Reminding (Připomenutí chyb):**

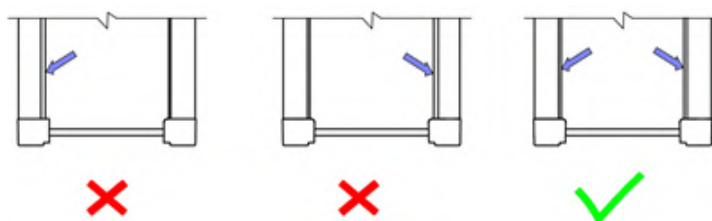
Pokud běžecký pás zobrazí chybové hlášení, nejprve si přečtete sekci ŘEŠENÍ PROBLÉMŮ v příručce.

## ÚDRŽBA A PÉČE

Čištění pomáhá prodloužit životnost a výkon vašeho běžeckého pásu. Udržujte zařízení v čistotě a pravidelně odstraňujte prach z komponentů. Čistěte obě strany běžeckého pásu, aby se zabránilo hromadění prachu pod pásem. Udržujte běžeckou obuv čistou, aby nečistoty z bot neopotřebovaly běžeckou desku a pás. Povrch běžeckého pásu čistěte čistým vlhkým hadříkem.

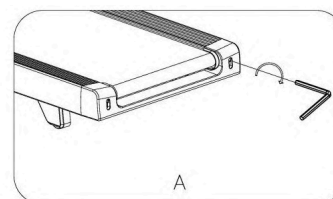
1. Aby se běžecký pás lépe udržoval a prodloužila se jeho životnost, doporučuje se vypnout zařízení po každé 2 hodinách používání na 10 minut a vždy jej zcela vypnout, když se nepoužívá.
2. Uvolněný běžecký pás způsobí sklouznutí běžce při běhu, zatímco příliš těsný běžecký pás sníží výkon motoru a zvýší tření mezi válcem a běžeckými pásy. Optimální napnutí běžeckého pásu je, když jej lze ručně vytáhnout 50-75 mm od desky.

### Vycentrování běžeckého pásu:

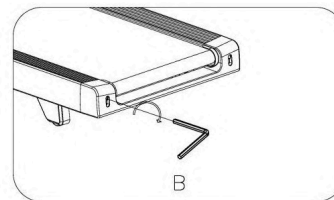


Položte běžecký pás na rovnou plochu a nastavte jej na 6-8 km/h, abyste zkontrolovali, zda je běžecký pás vycentrován. Pás je vycentrován, pokud jsou vzdálenosti od pravé a levé strany běžeckého pásu k bočním prvkům stejné.

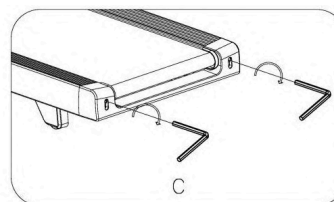
1. Pokud se běžecký pás pohybuje **doprava**, otočte nastavovacím šroubem na pravé straně o  $\frac{1}{4}$  otáčky ve směru hodinových ručiček, pak otočte levým nastavovacím šroubem o  $\frac{1}{4}$  otáčky proti směru hodinových ručiček. Pokud se pás nepohybuje, opakujte tento krok, dokud se nevycentruje. Viz obrázek A.



2. Pokud se běžecký pás pohybuje **doleva**, otočte nastavovacími šrouby na levé straně o  $\frac{1}{4}$  otáčky ve směru hodinových ručiček, pak otočte pravým nastavovacím šroubem o  $\frac{1}{4}$  otáčky proti směru hodinových ručiček. Pokud se pás nepohybuje, opakujte tento krok, dokud se nevycentruje. Viz obrázek B.



3. Časem se běžecký pás uvolní. Chcete-li pás napnout, otočte levými a pravými nastavovacími šrouby o jednu celou otáčku ve směru hodinových ručiček, zkontrolujte napětí pásu. Tento postup opakujte, dokud pás nedosáhne správného napětí. Ujistěte se, že jsou obě strany rovnoměrně nastaveny, aby byla zajištěna správná orientace pásu. Viz obrázek C.



## MAZÁNÍ BĚŽECKÉHO PÁSU

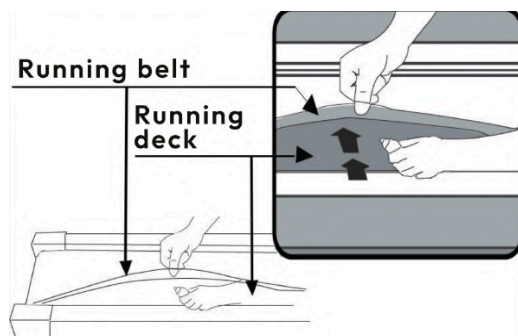
**Důležitá poznámka:** Před prvním použitím musíte běžecký pás namazat.

**Mazání běžecké desky a běžeckého pásu:** Mazání běžecké desky a pásu je nezbytné, protože tření mezi nimi ovlivňuje životnost a funkci běžeckého pásu, proto se doporučuje pravidelně kontrolovat běžeckou desku a pás.

**Upozornění:** Vždy odpojte běžecký pás od elektrické zásuvky před čištěním, mazáním nebo opravou zařízení.

### Jak mazat:

1. Zvedněte běžecký pás na jedné straně a naneste mazivo na běžeckou desku. Tento postup opakujte pro druhou stranu běžeckého pásu. **Ujistěte se, že mazivo dosáhne středu běžeckého pásu.** Zapněte běžecký pás a nastavte jej na rychlost 3 km/h po dobu 5 minut, aby se mazivo rovnoměrně rozprostřelo. Správné množství maziva pro jedno mazání je **přibližně 4 ml**, tj. 20 ml tubu obsaženou v sadě by mělo stačit na 5 mazání.
2. Pohyblivé části by se měly volně a tiše otáčet. Abnormality pohyblivých částí ovlivní bezpečnost zařízení. Pravidelně kontrolujte a utahujte šrouby.
3. Aby se běžecký pás lépe udržoval a prodloužila se jeho životnost, doporučuje se pravidelně provádět údržbu.



### Doporučený harmonogram mazání:

Lehký uživatel (méně než 3 hodiny/týden) - každých šest měsíců

Střední uživatel (3-5 hodin/týden) - každé tři měsíce

Těžký uživatel (více než 5 hodin/týden) - každé dva měsíce

## TECHNICKÁ DATA

Název modelu:	Gymio Run Flex
Napájecí zdroj:	AC 220-240V 50-60Hz
Typ motoru:	DC
Špičkový výkon:	1.75 HP (1290 W)
Nepřetržitý výkon:	1.0 HP (750 W)
Nastavení sklonu:	Automaticky elektronicky řízené
Úrovně sklonu:	12 úrovní - maximální sklon 10%
Běžecská plocha:	132 x 42 cm
Čistá hmotnost:	58 kg
Hrubá hmotnost:	67 kg
Třída použití:	Třída H
Třída přesnosti:	Třída A
Rychlost:	0.8 - 14 km/h
Normy a certifikace:	CE, EN ISO 20957-1:2013, EN 957-6:2010 + A1:2014
Účel použití:	Elektrický běžecský pás pro domácí použití
Maximální hmotnost uživatele:	100 kg

# ŘEŠENÍ PROBLÉMŮ

PROBLÉM	MOŽNÁ PŘÍČINA	ŘEŠENÍ PROBLÉMU
Běžecský pás se nespustí:	Není zapojen.	Zastrčte napájecí kabel do zásuvky.
	Bezpečnostní klíč není vložen.	Vložte bezpečnostní klíč.
Běžecský pás není vycentrován:	Napětí běžecského pásu není správné na levé nebo pravé straně běžecské desky.	Vycentrujte běžecský pás podle této příručky.
Počítač nefunguje:	Kabely z počítače a ovládací desky konzole nejsou správně připojeny.	Zkontrolujte kabelová připojení od počítače k ovládací desce.
	Transformátor je poškozen.	Pokud je transformátor poškozen, kontaktujte zákaznický servis.
E01 nebo E13: Chyba komunikace	Kabely z počítače a ovládací desky konzole nejsou správně připojeny.	Zkontrolujte kabelová připojení od počítače k ovládací desce. Pokud je připojení správné a problém přetrvává, kontaktujte zákaznický servis.
E02: Ochrana proti přetížení	Vstupní napětí je nižší než 50 % požadovaného napětí.	Zkontrolujte, zda je vstupní napětí správné.
E03: Žádný signál rychlostního senzoru	Signál rychlostního senzoru nemůže být přijímán ovládací deskou.	Zkontrolujte, zda je senzorový kabel správně připojen. Pokud je připojení správné a problém přetrvává, kontaktujte zákaznický servis.
E04: Chyba sklonu	Motor sklonu je poškozen nebo kabel motoru sklonu není správně připojen nebo je poškozen.	Zkontrolujte všechna kabelová připojení, která byla provedena během první montáže, a pokud problém přetrvává, kontaktujte zákaznický servis.
E05: Ochrana proti přetížení proudu (systém ochrany sebe sama)	Vstupní napětí je příliš nízké nebo příliš vysoké.	Pohyblivá část běžecského pásu je zablokovaná a proto motor nemůže správně otáčet.
	Restartujte běžecský pás. Zkontrolujte vstupní napětí, aby bylo správné.	Zkontrolujte pohyblivé části běžecského pásu, aby správně fungovaly. Ověřte, zda hmotnost uživatele nepřekračuje limit.
E06: Chyba motoru	Motorový kabel není připojen nebo je motor poškozen.	Zkontrolujte všechna kabelová připojení, která byla provedena během první montáže, a pokud problém přetrvává, kontaktujte zákaznický servis.
E08: Chyba konzoly	Konzola není připojena.	Zkontrolujte, zda jsou všechna kabelová připojení správně připojena. Pokud je připojení správné a problém přetrvává, kontaktujte zákaznický servis.
E10: Chyba motoru	Motor je poškozen nebo pohyblivá část běžecského pásu je zablokovaná a proto motor nemůže správně otáčet.	Zkontrolujte pohyblivé části běžecského pásu, aby správně fungovaly. Ověřte, zda hmotnost uživatele nepřekračuje limit zařízení.



## Bezpečnostný manuál

1. Pred inštaláciou a prevádzkou si pozorne prečítajte tento prevádzkový manuál.
2. Tento manuál si prosím uchovajte pre budúci odkaz.
3. Výrobek se může mírně lišit od obrázků v důsledku aktualizací modelu.

# INFORMÁCIE O BEZPEČNOSTI

**VAROVANIE** - Prečítajte si všetky pokyny pred použitím tejto bežeckej dráhy. Je dôležité, aby vaša bežecká dráha pravidelne dostávala údržbu, aby sa predĺžila jej užitočná životnosť. Ak nebudete pravidelne udržiavať vašu bežeckú dráhu, môže to zrušiť vašu záruku.

- **Nebezpečenstvo:** Aby ste znížili riziko elektrického šoku, odpojte váš bežecký pás od elektrickej zásuvky pred čistením a/alebo servisnou prácou.
- Nepoužívajte predlžovacie káble a používajte iba pôvodný napájací kábel. Udržujte napájací kábel ďaleko od zdrojov tepla. Nepoužívajte bežecký pás, ak je napájací kábel alebo zástrčka poškodená.
- Bežecký pás by mal byť pripojený k uzemnenej elektrickej zásuvke s príslušným napätím a frekvenciou prúdu.
- Uistite sa, že zariadenie je počas používania na stabilnom a rovnom povrchu. Zadná časť bežeckého pásu by mala byť voľná od prekážok, udržujte aspoň 1 meter voľného priestoru od akýchkoľvek pevných objektov.
- Nezakrývajte zadnú časť bežeckého pásu. Zabezpečte minimálne 1 meter voľného priestoru medzi zadnou časťou bežeckého pásu a akýmkoľvek pevným objektom.
- Vyvarujte sa používania bežeckého pásu na mäkkých, hrubých kobercoch, pretože to môže spôsobiť poškodenie koberec aj zariadenia.
- Vždy mať pripevnený plastový bezpečnostný klip na oblečení pri behu, ktorý rýchlo zastaví bežecký pás v prípade pádu.
- Držte ruky ďaleko od všetkých pohyblivých častí.
- Nikdy nespadnite ani nevložte žiadny predmet do otvorov.
- Nikdy nedovoľte deťom a domácim zvieratám byť na alebo v blízkosti bežeckého pásu.
- Nepoužívajte tam, kde sa používajú výrobky v spreji alebo kde sa podáva kyslík. Iskry z motora môžu zapáliť vysoce horľavé prostredie.
- Bežecký pás je určený iba pre domáce použitie a nie je vhodný na dlhé behanie.
- Bežecký pás nie je určený pre deti – nedovoľte im byť v blízkosti zariadenia.
- Počas používania bežeckého pásu noste vhodnú športovú obuv.
- Používajte poskytnuté zábradlia; sú pre vašu bezpečnosť.
- Sensory tepovej frekvencie nie sú lekárske zariadenia. Rôzne faktory, vrátane pohybu používateľa, môžu ovplyvniť presnosť merania tepovej frekvencie. Sensory tepovej frekvencie sú určené len ako pomôcky pri cvičení na určenie všeobecných trendov tepovej frekvencie.
- Na odpojenie otočte všetky ovládacie prvky do vypnutej polohy, vyberte bezpečnostný kľúč a potom vyberte zástrčku zo zásuvky.

- Povolená teplota: 5 až 40 stupňov.
- Po použití vyberte bezpečnostný kľúč, aby ste zabránili neoprávnenému používaniu bežeckého pásu.

## DÔLEŽITÉ ELEKTRICKÉ INFORMÁCIE

### VAROVANIE

**NIKDY** nepoužívajte zásuvku so zariadením na prerušenie obvodu pri zemi (GFCI) s týmto bežeckým pásmom. Umiestnite napájací kábel tak, aby bol ďaleko od akýchkoľvek pohyblivých častí bežeckého pásma, vrátane mechanizmu zdvíhania a transportných kolies. **NIKDY** nepoužívajte bežecký pás na generátor alebo napájanie z UPS. **NIKDY** neodstraňujte žiadny kryt bez predchádzajúceho odpojenia prúdu striedavého napätia. **NIKDY** nevystavujte tento bežecký pás dažďu alebo vlhkosti. Tento bežecký pás nie je navrhnutý na použitie vonku, v blízkosti bazéna alebo v akomkoľvek inom prostredí s vysokou vlhkosťou.

- **VAROVANIE:** Tento bežecký pás vyžaduje správny zdroj napájania, aby správne fungoval. Pre vašu bezpečnosť a bezpečnosť iných, overte, prosím, správnosť zdroja napájania pred pripojením zariadenia. Nesprávny zdroj napájania môže spôsobiť významné poškodenie zariadenia a/alebo užívateľa. Správny zdroj napájania je **AC 220-240V 50-60Hz**.
- **METODY UZIEMIENIA:** Tento produkt musí byť uzemnený. Uzemnenie poskytuje najmenší odpor pre elektrický prúd a zníži riziko elektrického šoku. **Zástrčka musí byť zasunutá do vhodnej zásuvky, ktorá je správne nainštalovaná a uzemnená v súlade so všetkými miestnymi predpismi a nariadeniami.** Uistite sa, že je produkt pripojený do zásuvky s rovnakou konfiguráciou ako zástrčka. **Nepoužívajte adaptér na pripojenie bežeckého pásma k elektrickej zásuvke.**
- **NEBEZPEČENSTVO:** Nesprávne pripojenie uzemňovacieho vodiča zariadenia môže viesť k riziku úderu elektrickým prúdom. Ak máte pochybnosti o tom, či je produkt správne uzemnený, skontrolujte to s certifikovaným elektrikárom. Nepremenšujte zástrčku dodanú s produktom. Ak sa nezmesť do zásuvky, nechajte nainštalovať vhodnú zásuvku elektrikárom.

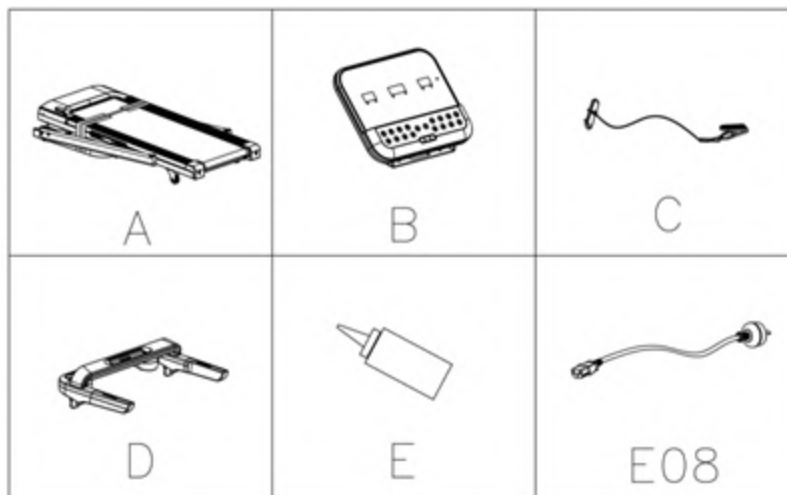
## BEZPEČNOSŤ POUŽÍVANIA

- Pred prvým použitím prečítajte a pochopíte celý návod na obsluhu.
- Zasuňte napájací zástrčku priamo do zásuvky, bez použitia predĺženia.
- Bežecký pás nepoužívajte dlhšie ako 2 hodiny bez prestávky.
- Rozumiete, že zmeny rýchlosti a sklonu sa nevyskytujú okamžite. Nastavte požadovanú rýchlosť na počítačovej konzole a uvoľnite regulovacu klávesnicu. Počítač postupne poslúchne príkaz.
- Buďte opatrní pri vykonávaní iných činností počas chôdze na páse; ako sledovanie televízie, čítanie atď. Tieto rušenia vás môžu dostať z rovnováhy alebo odviesť od stredného pásu, čo môže mať za následok vážne zranenie.

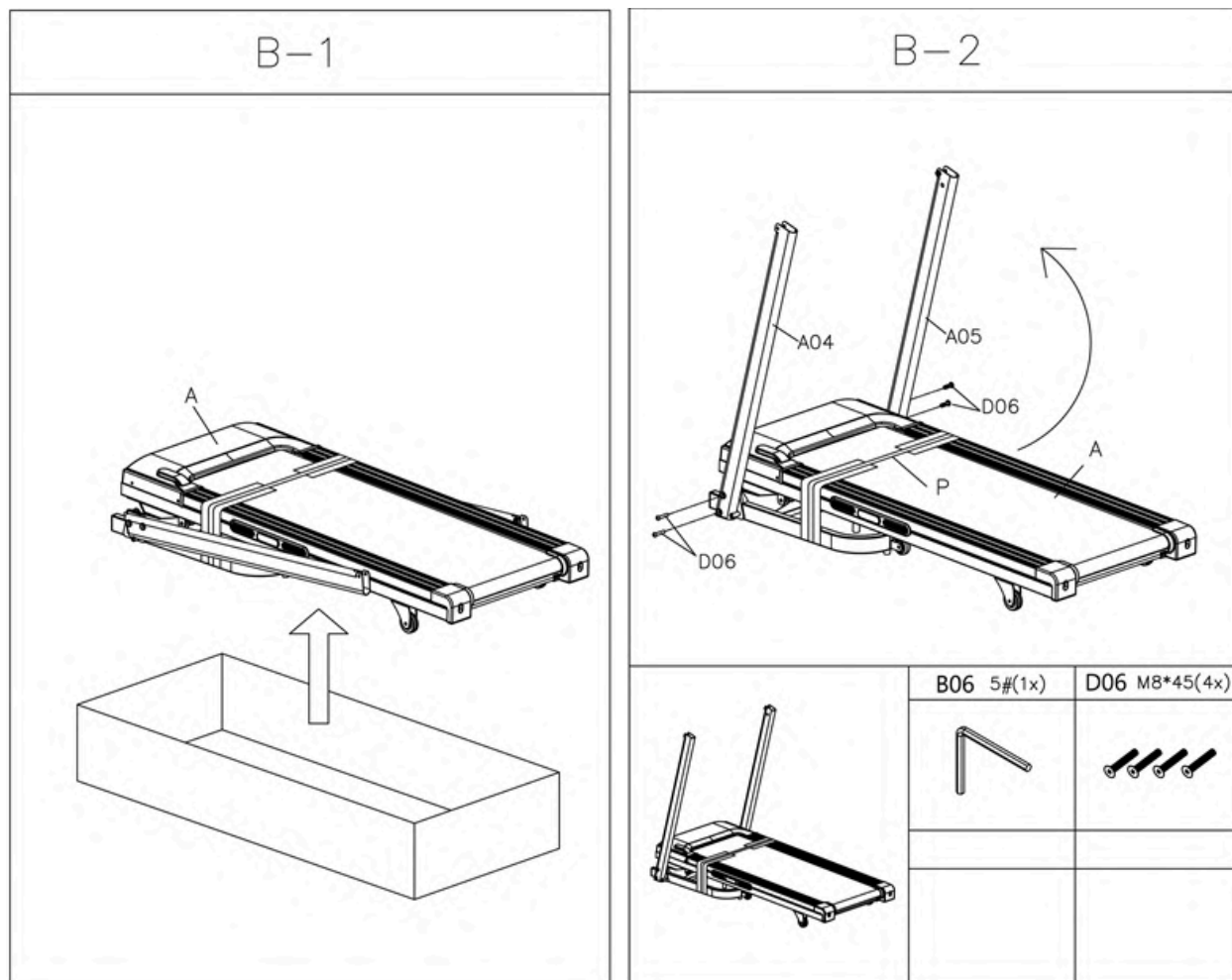
- Aby ste zabránili strate rovnováhy a nečakaným zranenia, NIKDY ne vystupuje ani nie vystupuje z pásu, kým sa pás pohybuje. Toto zariadenie začína s veľmi nízkou rýchlosťou. Stačí stáť na páske počas pomalého rozbiehania sa, čo je správne po tom, čo ste sa naučili ovládať toto zariadenie.
- Vždy sa držte za zábradlím pri zmene ovládania.
- S týmto zariadením je dodávaný bezpečnostný kľúč. Odstránenie bezpečnostného kľúča okamžite zastaví pás a bežecký pás sa automaticky vypne. Vloženie bezpečnostného kľúča obnoví zobrazenie.
- Na ovládacie tlačidlá konzoly nepoužívajte nadmerný tlak. Sú presne nastavené na správne fungovanie s minimálnym tlakom prsta.
- Toto zariadenie nie je určené na použitie osobami (vrátane detí) so zníženými fyzickými, senzorickými alebo mentálnymi schopnosťami alebo s nedostatkom skúseností a znalostí, pokiaľ neboli dohliadané alebo inštruované o používaní tohto zariadenia osobou zodpovednou za ich bezpečnosť. Deti by mali byť dohliadané, aby sa zabezpečilo, že sa s týmto zariadením nehrajú.
- Pred začatím cvičení sa poraďte s lekárom, aby ste sa uistili, že nemáte žiadne zdravotné kontraindikácie pre cvičenie na tomto zariadení. Toto je obzvlášť dôležité pre osoby staršie ako 35 rokov, trpiace chronickými ochoreniami, tehotné alebo dojčiacie ženy.
- Ak pocítite závrat, nadmernú plnosť, bolesť na hrudi alebo iné znepokojujúce príznaky počas cvičenia, ihneď prerušte cvičenie a konzultujte s lekárom. Nezabudnite, že nadmerné cvičenie môže byť pre vaše zdravie a život nebezpečné.
- Po cvičení na našom bežeckom páse viac ako 20 minút pijte dostatočné množstvo vody.
- Nezabudnite pravidelne mazat bežecký pás.
- Neprekračujte maximálnu hmotnosť používateľ'a pre zariadenie. Informácie o maximálnej hmotnosti nájdete na štítku zariadenia.


# MONTÁŽNY NÁVOD

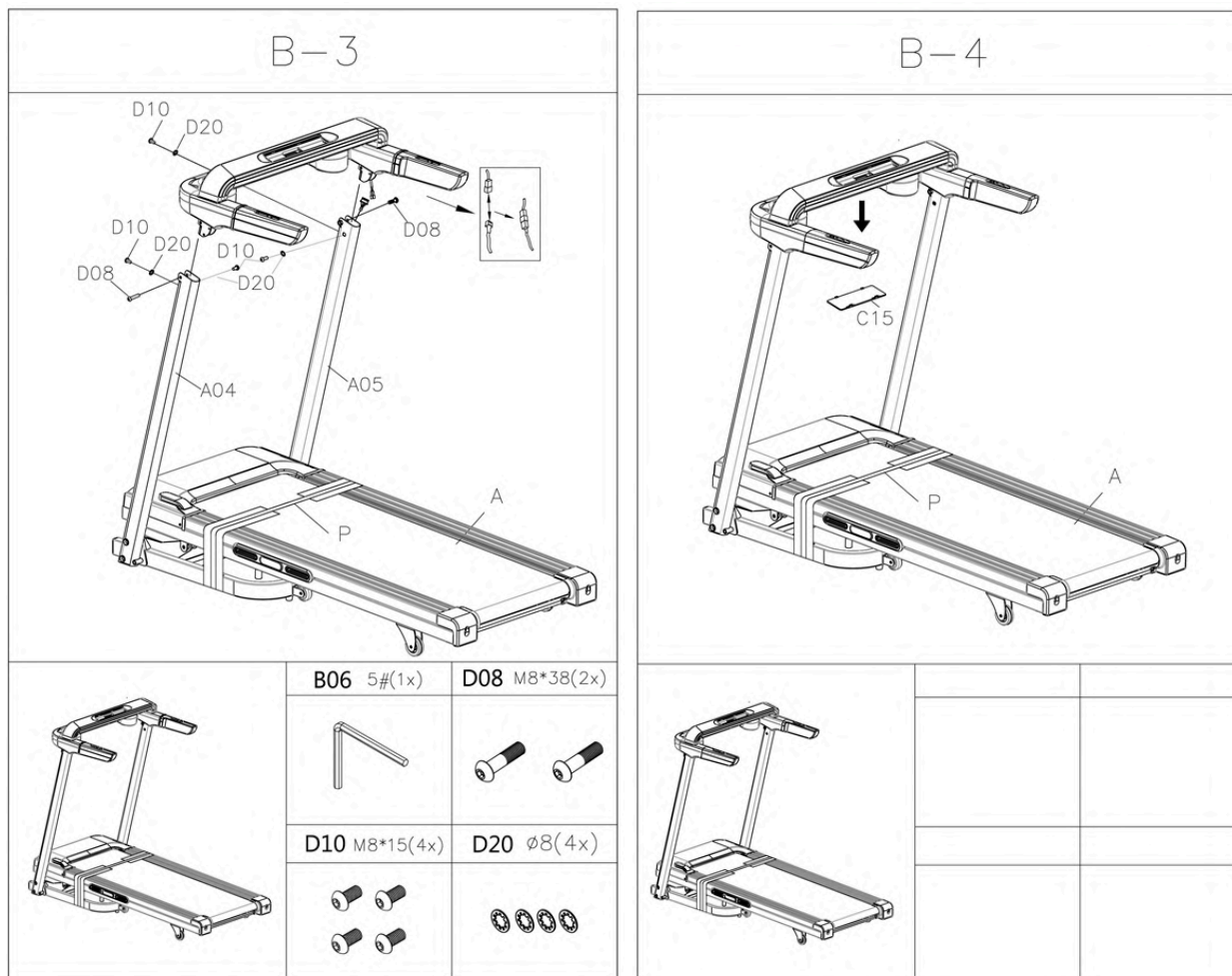
Po otvorení kartónu nájdete nasledujúce časti:



Č.	Popis	ks	Č.	Popis	ks
A	Hlavný rám	1	D	Konzola	1
B	Počítač	1	E	Silikónový olej	1
C	Bezpečnostný kľúč	1	E08	Napájací kábel	1



1. Položte krabicu na rovný povrch v správnej polohe podľa označenia .
2. Otvorte krabicu a najprv vyberte konzolu (D) a počítač (B), ktoré sú umiestnené hore na hlavnom ráme (A).
3. Vyberte hlavný rám (A) z krabice. Táto činnosť si vyžaduje dve osoby. Pri zdvíhaní sa môžu stĺpy (A04 & A05) otáčať a dotknúť sa podlahy. Uistite sa, že nespadnú.
4. Zdvihnite stĺpy (A04, A05) a pripevnite ich k rámu pomocou 4 skrutiek (D06) s použitím imbusového kľúča (B06).



5. Držte konzolu (D) nad stĺpmi a presne pripojte kábel vychádzajúci zo stĺpa ku káblu pod konzolou.  
**POZOR! Táto činnosť si vyžaduje dve osoby.**
6. Po pripojení káblov **odstrihnite sťahovaciu pásku**, ktorá drží kábel vychádzajúci zo stĺpa, a pásku odstráňte.
7. Umiestnite konzolu (D) na stĺpy, pričom dbajte na to, aby nedošlo k stlačeniu alebo prerušeniu komunikačného kábla.
8. Pripravte konzolu (D) na stĺpy pomocou 2 skrutiek (D08) a 4 skrutiek (D10) s podložkami (D20) s použitím imbusového kľúča (B06).

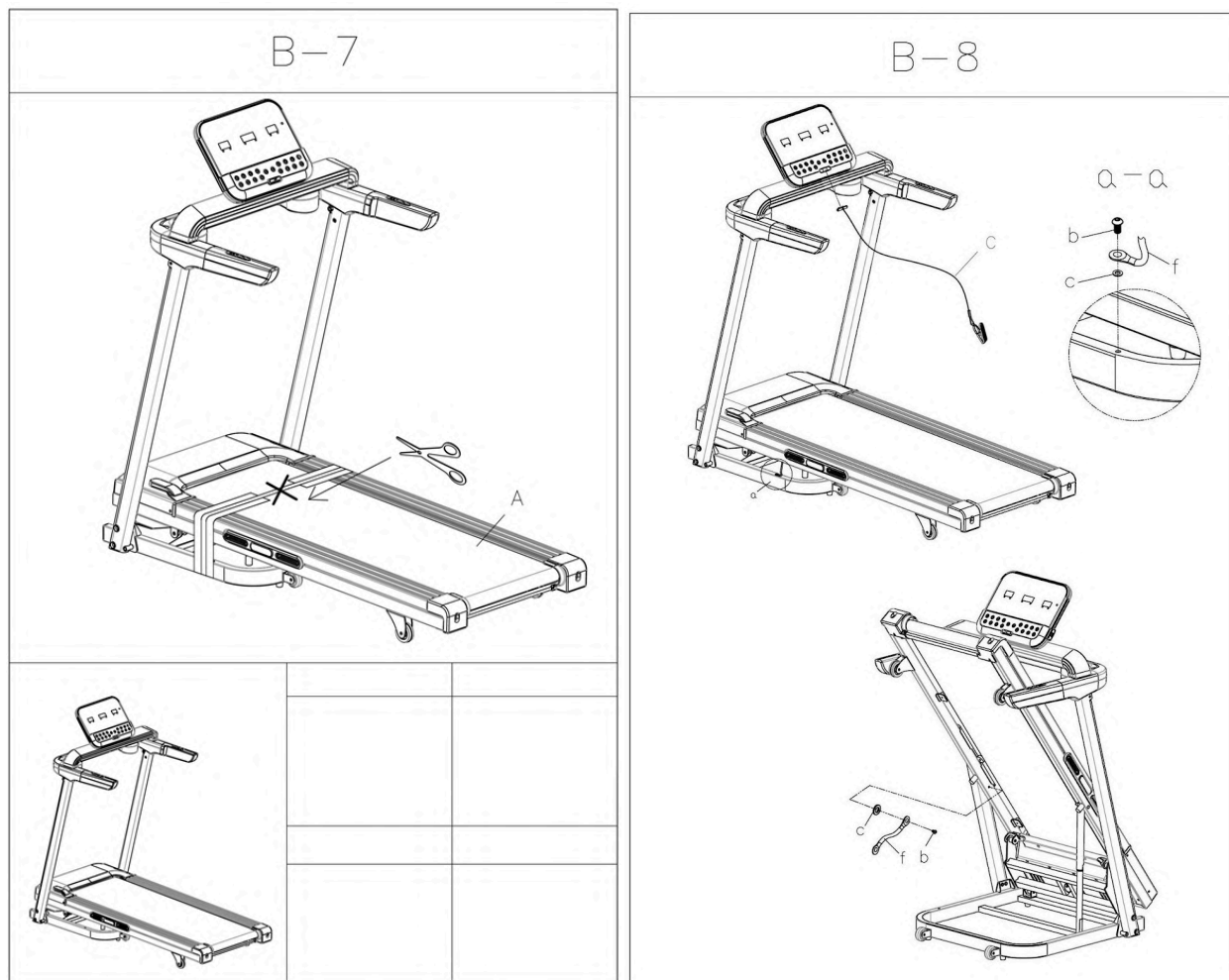
9. Odstráňte kryciu dosku (C15) zo spodnej časti konzoly.

B-5	B-6	
	<b>B06</b> 5#(1x) 	<b>D20</b> $\varnothing 8$ (2x) 
	<b>D10</b> M8*15(2x) 	

10. Umiestnite počítač (B) na správne miesto v konzole (D) a prevlečte káble z počítača (B) cez konzolu tak, aby vychádzali zo spodnej časti konzoly (D).
11. Pripravte počítač (B) na konzolu (D) pomocou 2 skrutiek (D10) a podložiek (D20) s použitím imbusového kľúča (B06).

12. **Presne pripojte** všetky káble vychádzajúce zo spodnej časti počítača (B) a konzoly (D).
13. Pripravte kryciu dosku (C15) na kryt konzoly.



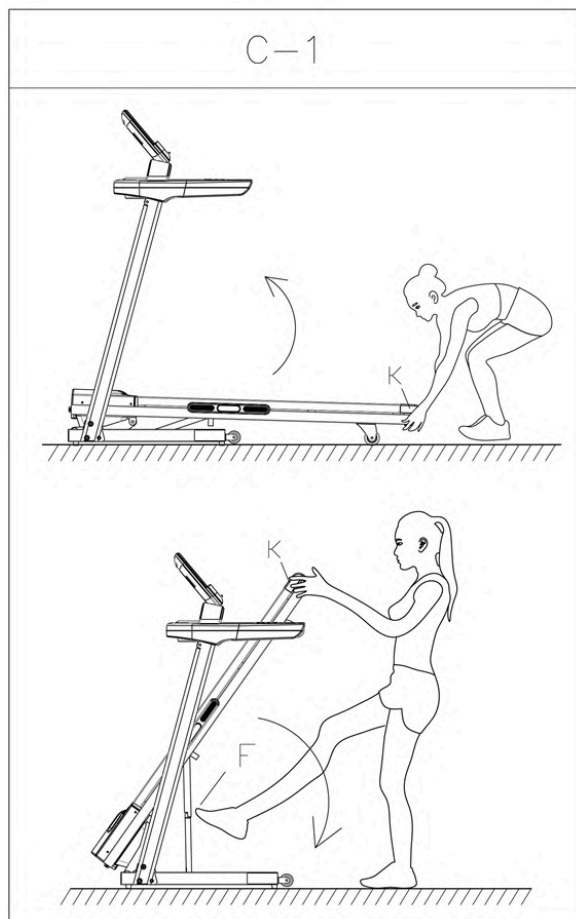


14. Odstráňte pásku, ktorá spája základňu s bežecým pásom.

15. Odskrutkujte skrutku (b) spájajúcu základňu bežecého pásu s páskou (f) blokujúcou zdvíhanie bežecého pásu s použitím imbusového kľúča (B06).
16. Pripojte napájací kábel k bežecému pásu a elektrickej zásuvke.
17. Namažte bežecý pás podľa pokynov v tomto návode.
18. Umiestnite magnetický bezpečnostný kľúč (D) do slotu na konzole.
- DÔLEŽITÉ!** Bez správnej inštalácie kľúča (D) nebude bežecý pás fungovať.
19. **Bežecý pás je pripravený na použitie.**



# NÁVOD NA SKLADANIE



## Zdvíhanie bežecého pásu

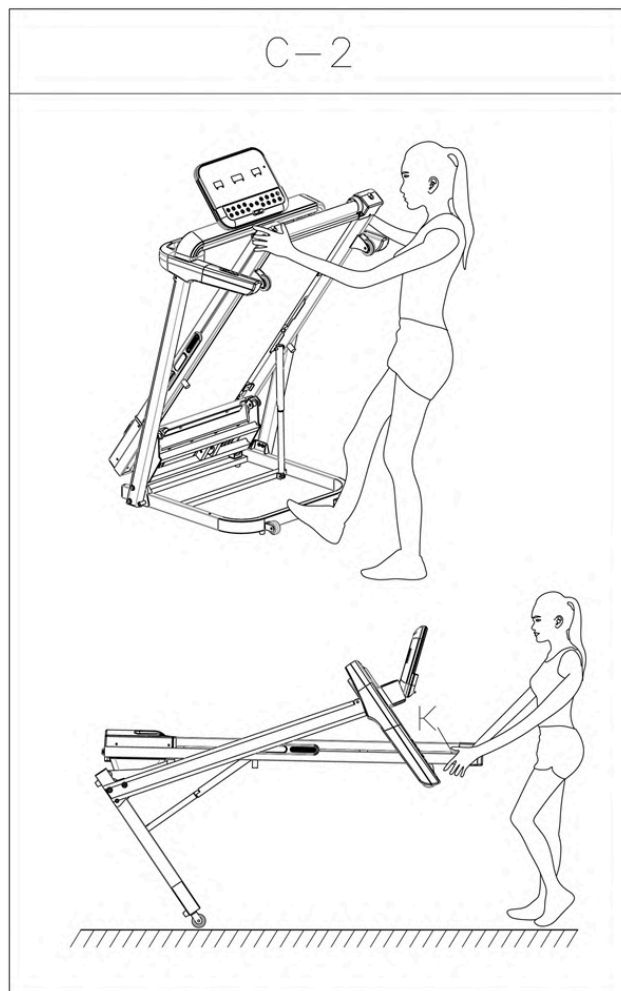
Zdvihnite bežecý pás (**K**), až kým mechanizmus, ktorý bráni jeho spadnutiu, nezapadne. Pri zaistení budete počuť kliknutie.

## Spúšťanie bežecého pásu

1. Mierne zdvihnite bežecý pás (**K**) a nohou zatlačte na mechanizmus (**F**) na jeho odomknutie.
2. Stlačte bežecý pás (**K**) nadol. Bežecý pás začne automaticky klesať.

**POZOR!** Uistite sa, že počas spúšťania bežecého pásu nie sú v blízkosti žiadne osoby, zvieratá ani predmety.

# NÁVOD NA PRESÚVANIE



1. Zdvihnite bežecký pás (**K**) podľa pokynov na predchádzajúcej strane. Držte základňu bežeckého pásu nohou na mieste označenom na obrázku.
  2. Ťahom za bežecký pás (**K**) otočte bežecký pás do polohy zobrazené na obrázku. Dávajte pozor, aby sa základňa bežeckého pásu v počiatočnej fáze otáčania nepohla.
- POZOR!** Bežecký pás je ťažký, preto sa pred presúvaním bežeckého pásu uistite, že to vaše fyzické schopnosti umožňujú.

# NÁVOD NA OBSLUHU



## Funkcie tlačidiel:

1. INSTANT INCLINE: Stlačte 3, 6, 9 na rýchle nastavenie sklonu.
2. INCLINE +: Stlačte toto tlačidlo na zvýšenie sklonu.
3. INCLINE -: Stlačte toto tlačidlo na zníženie sklonu.
4. PROG: Stlačte toto tlačidlo na výber medzi 9 programami a testom telesného tuku.
5. START: Stlačte toto tlačidlo na spustenie bežeckého pásu.
6. INSTANT SPEED: Stlačte 3, 6, 9 na rýchle nastavenie rýchlosti.
7. STOP/PAUSE: Stlačte toto tlačidlo na pozastavenie alebo zastavenie bežeckého pásu.
8. MODE: Stlačte tlačidlo MODE na voľbu medzi nastavením ČASU, VZDIALENOSTI, KALÓRIÍ.
9. SPEED +: Stlačte toto tlačidlo na zvýšenie rýchlosti.
10. SPEED -: Stlačte toto tlačidlo na zníženie rýchlosti.

## Media HUB:

1. Kompatibilita a možnosť pripojenia k aplikáciám ako **FITSHOW, ZWIFT, KINOMAP** cez Bluetooth.

## Funkcie počítača:

1. **CAL./DIS.:** Zobrazuje striedavo každých 5 sekúnd spálené kalórie a vzdialenosť.
2. **INCLINE/TIME:** Zobrazuje striedavo každých 5 sekúnd sklon a čas behu.
3. **SPEED/PULSE:** Zobrazuje striedavo aktuálnu rýchlosť a srdcový tep používateľa. Stlačte SPEED +/-, aby ste zmenili rýchlosť zariadenia. Držte ruky na pulzových senzorochoch, počítač po 5 sekundách zobrazí tepovú frekvenciu používateľa. Tieto údaje sú len orientačné a nemôžu byť považované za lekárske údaje.
4. **MODE:** Stlačte tlačidlo MODE na vstup do nastavení ČASU, VZDIALENOSTI, KALÓRIÍ.
  - Stlačte SPEED +/- alebo INCLINE +/-, aby ste nastavili cieľovú hodnotu tréningu.
  - Stlačte tlačidlo START, bežecký pás sa spustí po 3 sekundách.
  - Stlačte SPEED +/- a INCLINE +/-, aby ste upravili rýchlosť a sklon.
5. **PROGRAM:** Stlačte tlačidlo PROG, aby ste zvolili medzi 9 programami a testom telesného tuku.

2.1. **9 vstavaných programov:** V pohotovostnom režime stlačte tlačidlo PROG, konzola zobrazí 9 programov, vyberte jeden z nich.

- Stlačte SPEED +/- alebo INCLINE +/-, aby ste nastavili čas tréningu.
- Každý program je rozdelený do 10 sekcií; zariadenie 3-krát zapípa, keď začne nová sekcia.
- Stlačte SPEED +/- alebo INCLINE +/-, aby ste počas každej sekcie zmenili rýchlosť alebo sklon.
- Zariadenie 3-krát zapípa a zastaví sa, keď program skončí.

PROG.	TIME	TIME INTERVAL= setting time/10									
		1	2	3	4	5	6	7	8	9	10
P1	SPEED	1	2	3	3	1	2	2	3	2	2
	INCLINE	2	4	3	4	3	5	4	2	5	3
P2	SPEED	1	2	3	3	2	2	3	4	2	2
	INCLINE	2	5	4	6	4	6	4	2	4	2
P3	SPEED	1	2	2	3	1	2	2	2	2	1
	INCLINE	2	5	4	5	4	5	4	2	3	2
P4	SPEED	2	2	3	3	2	2	4	6	2	2
	INCLINE	3	6	7	5	8	5	9	6	4	3
P5	SPEED	1	2	4	3	2	2	4	5	2	1
	INCLINE	3	6	7	5	8	6	7	6	4	3
P6	SPEED	2	2	6	2	3	4	2	2	2	1

	INCLINE	2	8	6	4	5	9	7	5	4	3
P7	SPEED	4	5	6	6	9	9	10	12	6	3
	INCLINE	2	6	7	4	4	7	4	2	4	2
P8	SPEED	3	5	4	4	3	4	4	3	3	2
	INCLINE	2	4	6	8	7	8	6	2	3	2
P9	SPEED	3	5	3	4	2	3	4	2	3	2
	INCLINE	2	4	5	5	6	5	6	3	3	2

**2.2. Test telesného tuku:** V pohotovostnom režime stlačte tlačidlo PROG, až kým sa nedostanete k FAT.

- Stlačte tlačidlo MODE na zadanie informácií.
- Nastavte hodnoty pomocou SPEED +/- alebo INCLINE +/- od F-1 do F-4 (F-1 POHLAVIE, F-2 VEK, F-3 VÝŠKA, F-4 VÁHA).
- Stlačte tlačidlo MODE na vstup do F-5 (F-5 TEST TELESNÉHO TUKU), držte ruky na pulzových senzorochoch, konzola po 3 sekundách zobrazí hodnotu telesného tuku.
- Hodnota telesného tuku je len orientačná a nepredstavuje lekárske údaje.

F-1	Pohlavie	01 muž	02 žena
F-2	Vek	10-99	
F-3	Výška	100-200 cm	
F-4	Hmotnosť	20-150 kg	
F-5	Telesný tuk	≤ 19	Podváha
		=(20---25)	Normálna váha
		=(26---29)	Nadváha
		≥ 30	Obezita

## Ďalšie funkcie:

### Hand Pulse Function (Funkcia snímača pulzu):

Držte snímač pulzu približne 5 sekúnd, displej zobrazí hodnotu pulzu používateľa. Tieto údaje sú iba orientačné a nemôžu byť považované za lekárske údaje.

### Lubrication Remind Function (Funkcia pripomenutia mazania):

Toto zariadenie má funkciu pripomenutia mazania. Po celkovej bežeckej vzdialenosti 300 km musí byť váš bežecký pás namazaný olejom. Systém bude každých 10 sekúnd pripomínať signálom a okno zobrazí „OIL“. To znamená, že váš bežecký pás je potrebné namazať olejom. Namažte bežecký pás podľa ďalšieho oddielu tejto príručky. Po dokončení mazania držte tlačidlo „STOP“ po dobu 3 sekúnd a zvuk varovania systému sa vypne.

**Energy Saving Function (Funkcia úspory energie):**

Aby sa znížila spotreba energie, toto bežecký pás prejde do režimu spánku, ak po dobu 10 minút nebude vykonaná žiadna akcia. Displej zobrazí pripomienku pred prechodom do režimu spánku. Po prechode zariadenia do režimu spánku vyberte bezpečnostný kľúč a vložte ho znova, aby ste prebudili systém.

**Error Reminding (Pripomenutie chýb):**

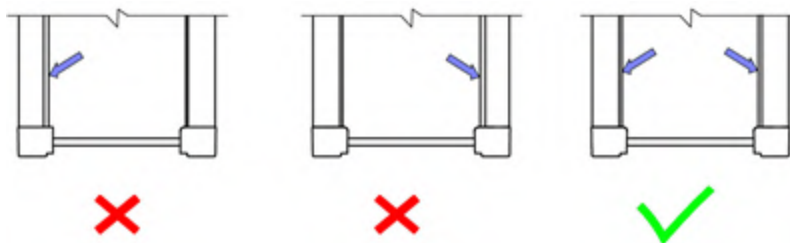
Ak bežecký pás zobrazí chybové hlásenie, najprv si prečítajte sekciu RIEŠENIE PROBLÉMOV v príručke.

## ÚDRŽBA A STAROSTLIVOSŤ

Čistenie pomáha predĺžiť životnosť a výkon vášho bežeckého pásu. Udržiavajte zariadenie v čistote a pravidelne odstraňujte prach z komponentov. Čistite obe strany bežeckého pásu, aby sa zabránilo hromadeniu prachu pod pásom. Udržiavajte bežeckú obuv čistou, aby nečistoty z topánok neopotrebovali bežeckú dosku a pás. Povrch bežeckého pásu čistite čistou vlhkou handričkou.

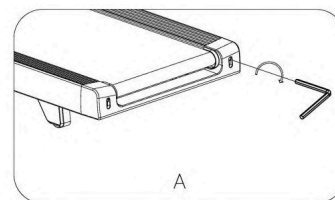
1. Aby sa bežecký pás lepšie udržiaval a predĺžila sa jeho životnosť, odporúča sa vypnúť zariadenie po každej 2 hodinách používania na 10 minút a vždy ho úplne vypnúť, keď sa nepoužíva.
2. Uvoľnený bežecký pás spôsobí sklúznutie bežca pri behu, zatiaľ čo príliš tesný bežecký pás zníži výkon motora a zvýši trenie medzi valcom a bežeckými pásmi. Optimálne napnutie bežeckého pásu je, keď ho možno manuálne vytiahnuť 50-75 mm od dosky.

### Vycentrovanie bežeckého pásu:

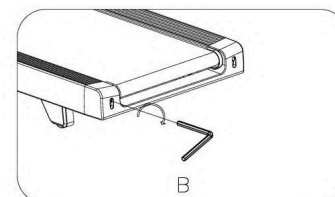


Položte bežecký pás na rovnú plochu a nastavte ho na 6-8 km/h, aby ste skontrolovali, či je pás vycentrovaný. Pás je vycentrovaný, ak sú vzdialenosti od pravého a ľavého okraja bežeckého pásu k bočným prvkom rovnaké.

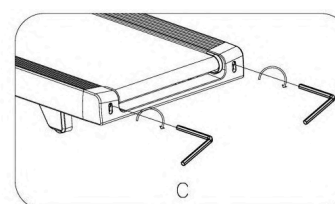
1. Ak sa bežecový pás posúva **doprava**, otočte nastavovaciu skrutku na pravej strane o  $\frac{1}{4}$  otáčky v smere hodinových ručičiek, potom otočte ľavú nastavovaciu skrutku o  $\frac{1}{4}$  otáčky proti smeru hodinových ručičiek. Ak sa pás nepohybuje, zopakujte tento krok, kým nebude vycentrovaný. Pozri obrázok A.



2. Ak sa bežecový pás posúva **dol'ava**, otočte nastavovacie skrutky na ľavej strane o  $\frac{1}{4}$  otáčky v smere hodinových ručičiek, potom otočte pravú nastavovaciu skrutku o  $\frac{1}{4}$  otáčky proti smeru hodinových ručičiek. Ak sa pás nepohybuje, zopakujte tento krok, kým nebude vycentrovaný. Pozri obrázok B.



3. Časom sa bežecový pás uvoľní. Aby ste pás napli, otočte ľavé a pravé nastavovacie skrutky o jednu celú otáčku v smere hodinových ručičiek, skontrolujte napnutie pásu. Tento postup opakujte, kým pás nedosiahne správne napnutie. Uistite sa, že sú obe strany rovnomerne nastavené, aby bola zabezpečená správna orientácia pásu. Pozri obrázok C.



## MAZANIE BEŽECKÉHO PÁSU

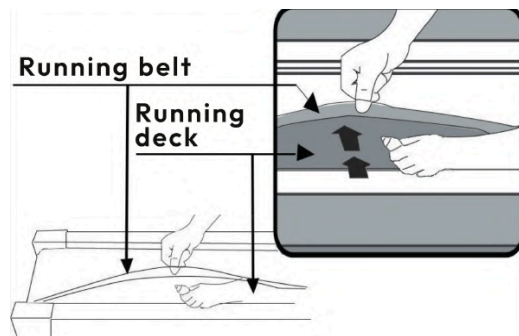
**Dôležitá poznámka:** Pred prvým použitím musíte bežecový pás namazať.

**Mazanie bežeckej dosky a bežecového pásu:** Mazanie bežeckej dosky a pásu je nevyhnutné, pretože trenie medzi nimi ovplyvňuje životnosť a funkciu bežecového pásu, preto sa odporúča pravidelne kontrolovať bežecú dosku a pás.

**Upozornenie:** Vždy odpojte bežecový pás od elektrickej zásuvky pred čistením, mazaním alebo opravou zariadenia.

### Ako mazať:

1. Zdvihnute bežecový pás na jednej strane a naneste mazivo na bežecú dosku. Tento postup zopakujte pre druhú stranu bežecového pásu. **Uistite sa, že mazivo dosiahne stred bežecového pásu.** Zapnite bežecový pás a nastavte ho na rýchlosť 3 km/h po dobu 5 minút, aby sa mazivo rovnomerne rozložilo. Správne množstvo maziva pre jedno mazanie je **približne 4 ml**, čo znamená, že 20 ml tuba obsiahnutá v sade by mala stačiť na 5 mazanie.
2. Pohyblivé časti by sa mali voľne a ticho otáčať. Abnormality pohyblivých častí ovplyvnia bezpečnosť zariadenia. Pravidelne kontrolujte a uťahujte skrutky.
3. Aby sa bežecový pás lepšie udržiaval a predĺžila sa jeho životnosť, odporúča sa pravidelne vykonávať údržbu.



#### Odporúčaný harmonogram mazania:

Ľahký užívateľ (menej ako 3 hodiny/týždeň) - každých šesť mesiacov

Stredný užívateľ (3-5 hodín/týždeň) - každé tri mesiace

Ťažký užívateľ (viac ako 5 hodín/týždeň) - každé dva mesiace

## TECHNICKÉ ÚDAJE

Názov modelu:	Gymio Run Flex
Napájací zdroj:	AC 220-240V 50-60Hz
Typ motora:	DC
Maximálny výkon:	1.75 HP (1290 W)
Trvalý výkon:	1.0 HP (750 W)
Nastavenie sklonu:	Automaticky elektronicky riadené
Úrovne sklonu:	12 úrovní - maximálny sklon 10%
Bežecká plocha:	132 x 42 cm
Čistá hmotnosť:	58 kg
Hrubá hmotnosť:	67 kg
Trieda použitia:	Trieda H
Trieda presnosti:	Trieda A
Rýchlosť:	0.8 - 14 km/h
Normy a certifikácie:	CE, EN ISO 20957-1:2013, EN 957-6:2010 + A1:2014
Účel použitia:	Elektrický bežecký pás pre domáce použitie
Maximálna hmotnosť používateľa:	100 kg



## RIEŠENIE PROBLÉMOV

PROBLÉM	MOŽNÁ PRÍČINA	RIEŠENIE PROBLÉMU
Bežecský pás sa nespustí	Nie je zapojený.	Zapojte napájací kábel do zásuvky.
	Bezpečnostný kľúč nie je vložený.	Vložte bezpečnostný kľúč.
Bežecský pás nie je vycentrovaný	Napätie bežecského pásu nie je správne na ľavej alebo pravej strane bežeckej dosky.	Vycentrujte bežecský pás podľa tejto príručky.
Počítač nefunguje	Káble z počítača a ovládacej dosky konzoly nie sú správne pripojené.	Skontrolujte káblové pripojenia od počítača k ovládacej doske.
	Transformátor je poškodený.	Ak je transformátor poškodený, kontaktujte zákaznícky servis.
E01 alebo E13: Chyba komunikácie	Káble z počítača a ovládacej dosky konzoly nie sú správne pripojené.	Skontrolujte káblové pripojenia od počítača k ovládacej doske. Ak je pripojenie správne a problém pretrváva, kontaktujte zákaznícky servis.
E02: Ochrana proti preťaženiu	Vstupné napätie je nižšie ako 50 % požadovaného napätia.	Skontrolujte, či je vstupné napätie správne.
E03: Žiadny signál rýchlostného senzora	Signál rýchlostného senzora nemôže byť prijímaný ovládacou doskou.	Skontrolujte, či je senzorový kábel správne pripojený. Ak je pripojenie správne a problém pretrváva, kontaktujte zákaznícky servis.
E04: Chyba sklonu	Motor sklonu je poškodený alebo kábel motoru sklonu nie je správne pripojený alebo je poškodený.	Skontrolujte všetky káblové pripojenia, ktoré boli vykonané počas prvej montáže, a ak problém pretrváva, kontaktujte zákaznícky servis.
E05: Ochrana proti preťaženiu prúdom (systém ochrany)	Vstupné napätie je príliš nízke alebo príliš vysoké.	Reštartujte bežecský pás. Skontrolujte vstupné napätie, aby bolo správne.
	Pohyblivá časť bežecského pásu je zablokovaná a preto motor nemôže správne otáčať.	Skontrolujte pohyblivé časti bežecského pásu, aby správne fungovali. Overte, či hmotnosť používateľ'a nepresahuje limit.
E06: Chyba motora	Motorový kábel nie je pripojený alebo je motor poškodený.	Skontrolujte všetky káblové pripojenia, ktoré boli vykonané počas prvej montáže, a ak problém pretrváva, kontaktujte zákaznícky servis.
E08: Chyba konzoly	Konzola nie je pripojená.	Skontrolujte, či sú všetky káblové pripojenia správne pripojené. Ak je pripojenie správne a problém pretrváva, kontaktujte zákaznícky servis.
E10: Chyba motora	Motor je poškodený alebo pohyblivá časť bežecského pásu je zablokovaná a preto motor nemôže správne otáčať.	Skontrolujte pohyblivé časti bežecského pásu, aby správne fungovali. Overte, či hmotnosť používateľ'a nepresahuje limit zariadenia.

## Посібник з безпеки

- Перед встановленням і експлуатацією, будь ласка, уважно прочитайте цей посібник і зберігайте його для подальших вказівок.
- Зберігайте цей посібник для подальших вказівок.
- Виріб може трошки відрізнятись від зображень товару через оновлення моделі.

## ІНФОРМАЦІЯ ПРО БЕЗПЕКУ

**ПОПЕРЕДЖЕННЯ** - Прочитайте всі інструкції перед використанням цього біженця. Важливо, щоб ваш біженець регулярно обслуговувався для подовження його корисного терміну служби. Невиконання регулярного технічного обслуговування може призвести до анулювання гарантії.

- **Небезпека:** Для зменшення ризику ураження електричним струмом від'єднайте біженець від електричної мережі перед чищенням та/або обслуговуванням.
- Не використовуйте подовжувальні кабелі і використовуйте лише оригінальний силовий кабель. Утримуйте силовий кабель подалі від джерел тепла. Не використовуйте біженець, якщо силовий кабель або вилка пошкоджені.
- Біженець повинен бути підключений до заземленої електричної розетки з відповідною напругою та частотою струму.
- Переконайтеся, що пристрій розташований на стійкій та рівній поверхні під час використання. Задня частина біженця повинна бути вільною від перешкод, забезпечте принаймні 1 метр вільного простору від будь-яких нерухомих об'єктів.
- Не блокуйте задню частину біженця. Забезпечте мінімальний вільний простір 1 метр між задньою частиною біженця та будь-яким нерухомим об'єктом.
- Уникається використання біженця на м'яких, товстих килимах, оскільки це може призвести до пошкодження як килима, так і обладнання.
- Завжди майте прикріплену пластикову кліпсу безпеки до вашого одягу під час бігу, яка швидко зупинить біженець у випадку падіння.
- Утримуйте руки подалі від рухомих частин.
- Ніколи не кидайте або не вставляйте жодний предмет в отвори.
- Ніколи не дозволяйте дітям та домашнім тваринам бути на біженці або поблизу нього.
- Не використовуйте там, де використовуються аерозольні розпилювачі або подається кисень, щоб уникнути ризику займання від іскор двигуна.
- Біженець призначений лише для використання вдома і не підходить для тривалого бігу.
- Біженець не призначений для дітей - не дозволяйте їм бути поблизу пристрою.
- Під час використання біженця використовуйте відповідне взуття для занять спортом.
- Використовуйте надані поручні; вони призначені для вашої безпеки.
- датчики пульсу не є медичними пристроями. Різні фактори, включаючи рух користувача, можуть впливати на точність вимірювання пульсу. датчики пульсу призначені лише як вправа допомоги для визначення тенденцій серцевого ритму взагалі.
- Щоб вимкнути пристрій, переведіть усі елементи керування в положення «вимкнено», вийміть запобіжний ключ і від'єднайте пристрій від мережі.

- Допустима температура: від 5 до 40 градусів.
- **Після використання вийміть безпековий ключ, щоб запобігти несанкціонованому використанню біженця.**

## Важлива інформація щодо електропостачання

### ПОПЕРЕДЖЕННЯ

НЕ вмикайте бігову доріжку в розетку із захистом від захисного відключення Маршрутизуйте електричний кабель подалі від будь-якої рухомої частини бігуну, включаючи механізм підйому та транспортні колеса.

НІКОЛИ не працюйте на бігуні від генератора або джерела живлення **UPS**.

НІКОЛИ не знімайте жодну обшивку, не відключивши спершу змінний струм.

НІКОЛИ не висушуйте цей бігун під дощем чи вологою. Цей бігун не призначено для використання на вулиці, біля басейну чи в будь-якому іншому вологому середовищі.

- **ПОПЕРЕДЖЕННЯ:** Ця бігова доріжка потребує правильного джерела живлення для належної роботи. З метою вашої безпеки, а також безпеки інших, перевірте, що джерело живлення є правильним, перш ніж підключити обладнання. Невірне джерело живлення може призвести до значних пошкоджень обладнання та/або користувача. Правильне джерело живлення - **АС 220-240V 50-60Hz**.
- **СПОСОБИ ЗАЗЕМЛЕННЯ:** Цей виріб необхідно заземлити. Заземлення забезпечує найменший опір електричному струму і знижує ризик ураження електричним струмом. **Вилка повинна бути вставлена у відповідну розетку, яка встановлена належним чином і заземлена відповідно до всіх місцевих норм і налаштувань.** Переконайтеся, що виріб підключено до розетки з такою ж конфігурацією, що й вилка. **Не використовуйте адаптер для підключення бігової доріжки до електричної розетки.**
- **НЕБЕЗПЕКА:** Неправильне підключення заземлювального провідника обладнання може призвести до ризику ураження електричним струмом. Перевірте з сертифікованим електриком, якщо у вас є сумніви, чи продукт належним чином заземлений. Не модифікуйте штекер, що надається з продуктом. Якщо він не влізав у розетку, встановити відповідну розетку електриком.

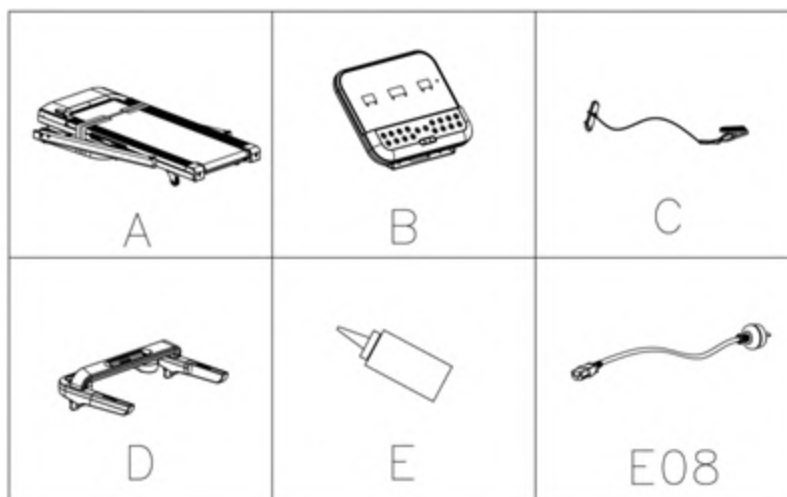
## БЕЗПЕКА ВИКОРИСТАННЯ

- Перед першим використанням прочитайте та розумійте весь посібник з експлуатації.
- Підключіть штекер живлення безпосередньо до розетки, без використання подовжувального кабелю.
- Використовуйте біженець не більше 2 годин безперервного бігу.
- Зрозумійте, що зміни швидкості та нахилу не відбуваються миттєво. Встановіть бажану швидкість на комп'ютерній консолі та відпустіть кнопку регулювання. Комп'ютер буде виконувати команду поступово.
- Будьте обережні, займаючись іншими видами діяльності, такими як перегляд телевізора або читання під час використання бігової доріжки. Відволікання може призвести до втрати рівноваги або відхилення від центру смуги бігу, що може призвести до серйозних травм.

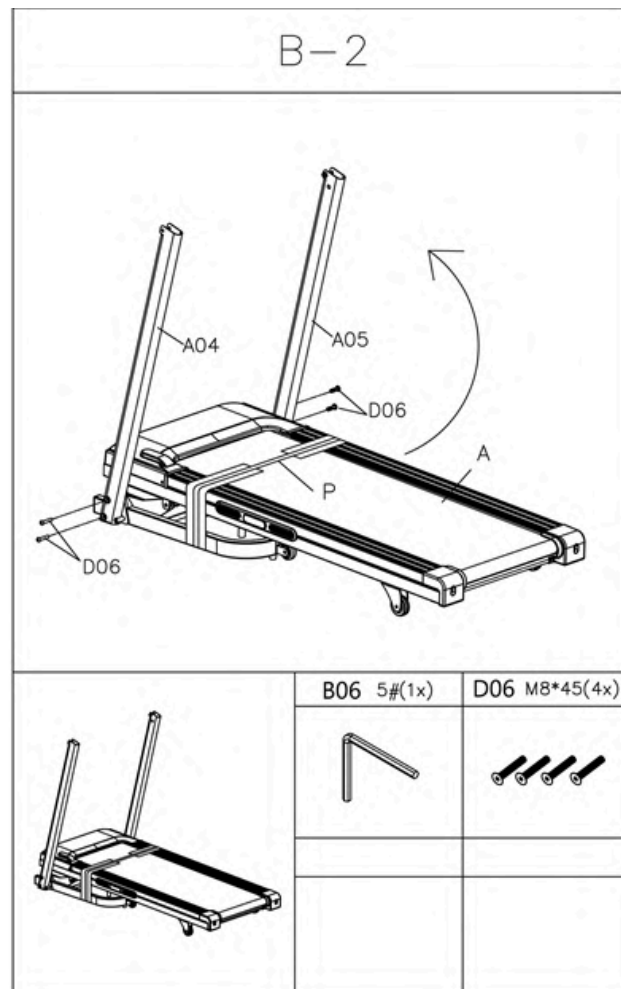
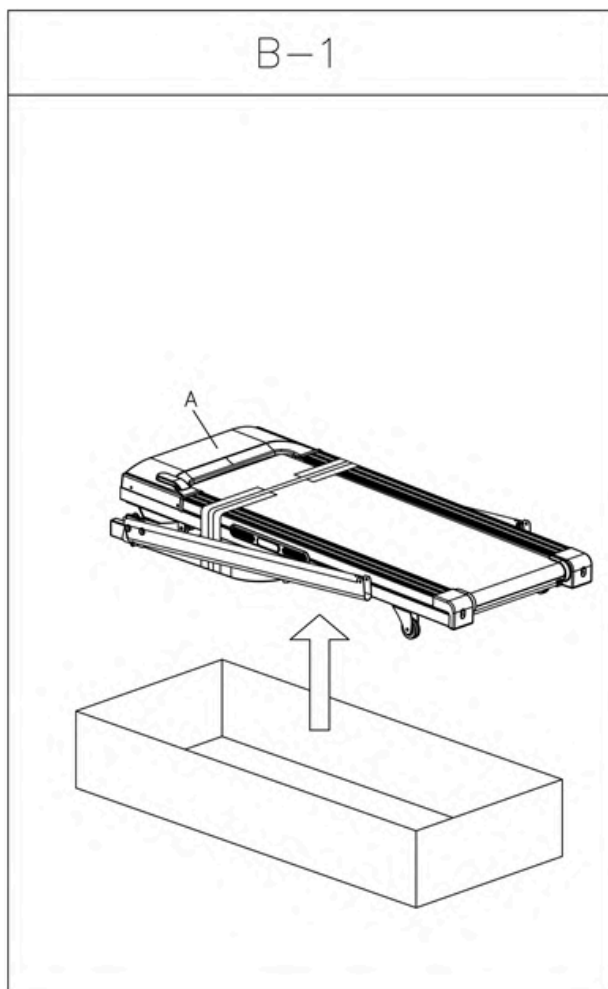
- Щоб уникнути втрати рівноваги та отримання неочікуваних травм, НІКОЛИ не сідайте або не сходьте з біженця, коли стрічка рухається. Цей пристрій стартує з дуже низькою швидкістю. Просто стоячи на стрічці під час повільного прискорення є правильним після того, як ви вивчили роботу цієї машини.
- Завжди тримайтеся за поручні під час внесення змін у керування.
- Цей пристрій постачається із безпечним ключем. Виймання безпечного ключа призведе до негайного зупинення стрічки, біженець вимкнеться автоматично. Вставлення безпечного ключа скине відображення.
- Не натискайте зайвою силою на кнопки керування консоллю. Вони налаштовані з точністю для правильної роботи з невеликим тиском від пальця.
- Це прилад не призначений для використання особами (включаючи дітей) із зниженими фізичними, чутливими чи розумовими можливостями, або з відсутністю досвіду та знань, якщо їм не було надано нагляд чи інструкції щодо використання приладу особою, відповідальною за їх безпеку. Дітей слід наглядати, щоб вони не гралися з приладом.
- Перед початком вправ консультируйтеся з лікарем, щоб переконатися, що у вас немає протипоказань для занять на цьому приладі. Це особливо важливо для людей старше 35 років, людей із хронічними захворюваннями, а також для вагітних чи годуючих жінок.
- У випадку головокружіння, перевантаження, болей в грудях чи інших тривожних симптомів під час занять, негайно припиніть вправи і проконсультируйтеся з лікарем. Пам'ятайте, що надмірне фізичне навантаження може бути небезпечним для вашого здоров'я і життя.
- Після занять на нашій біженці більше 20 хвилин випивайте достатню кількість води.
- Пам'ятайте про регулярне змащування бігової стрічки.
- Не перевищуйте максимальний рейтинг ваги користувача для цього приладу. Інформацію про максимальну вагу можна знайти на етикетці приладу.

# ІНСТРУКЦІЯ З МОНТАЖУ

Відкривши коробку, ви знайдете наступні частини:



№	Опис	шт.	№	Опис	шт.
A	Основна рама	1	D	Консоль	1
B	Комп'ютер	1	E	Силіконова олія	1
C	Ключ безпеки	1	E08	Живильний кабель	1

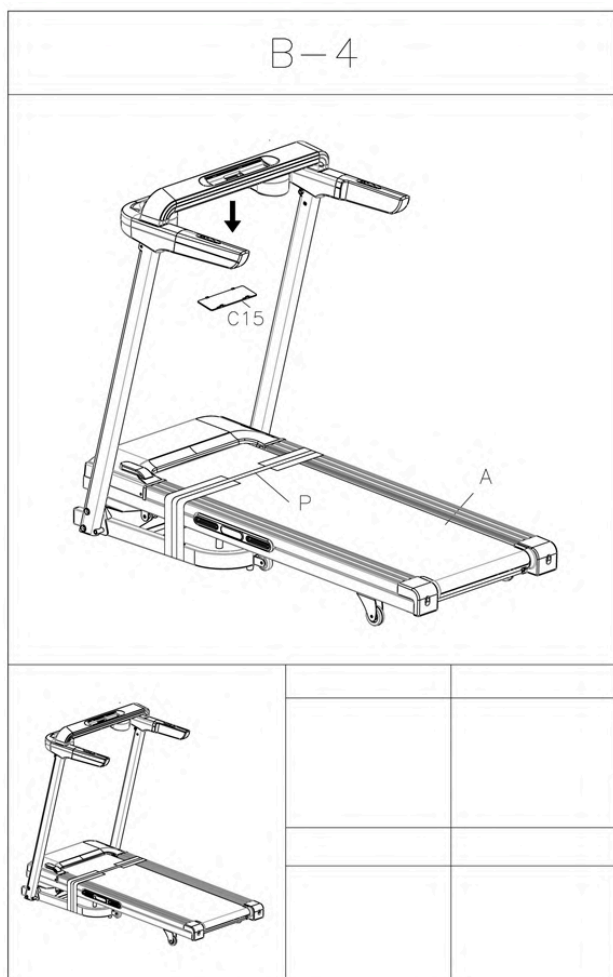
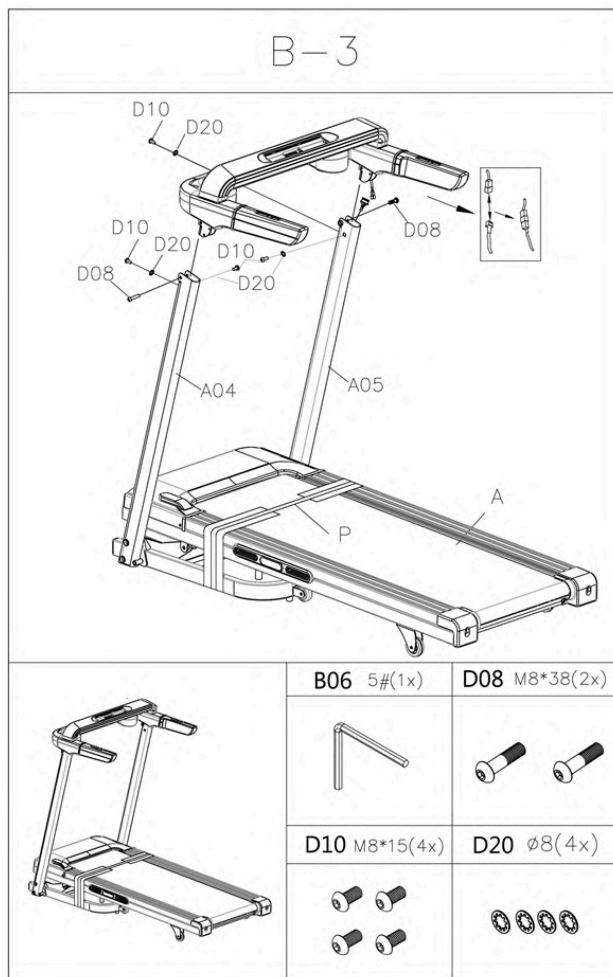


1. Покладіть коробку на рівну поверхню у правильній позиції згідно з позначенням



2. Відкрийте коробку і спочатку витягніть консоль (D) та комп'ютер (B), які знаходяться на верхній частині основної рами (A).
3. Вийміть основну раму (A) з коробки. Для цього потрібні дві людини. Під час підняття стовпці (A04 & A05) можуть обертатися і торкатися підлоги. Переконайтеся, що вони не впадуть.

4. Підніміть стовпці (A04 & A05) і прикріпіть їх до рами за допомогою 4 гвинтів (D06) з використанням шестигранного ключа (B06).



5. Тримайте консоль (D) над стовпцями і точно з'єднайте кабель, що виходить зі стовпця, з кабелем під консоллю.


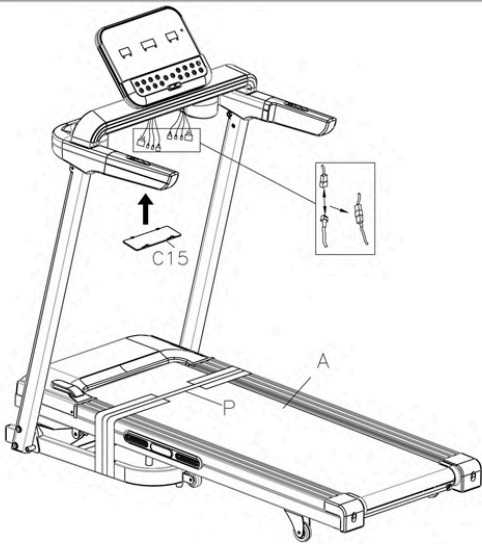





**УВАГА! Для цього потрібні дві людини.**

6. Після з'єднання кабелів відріжте стяжку, що утримує кабель, який виходить зі стовпця, і видаліть її.

7. Встановіть консоль (D) на стовпці, дбаючи про те, щоб не здавлювати або не обрізати комунікаційний кабель.

8. Прикріпіть консоль (D) до стовпців за допомогою 2 гвинтів (D08) і 4 гвинтів (D10) з шайбами (D20) з використанням шестигранного ключа (B06).

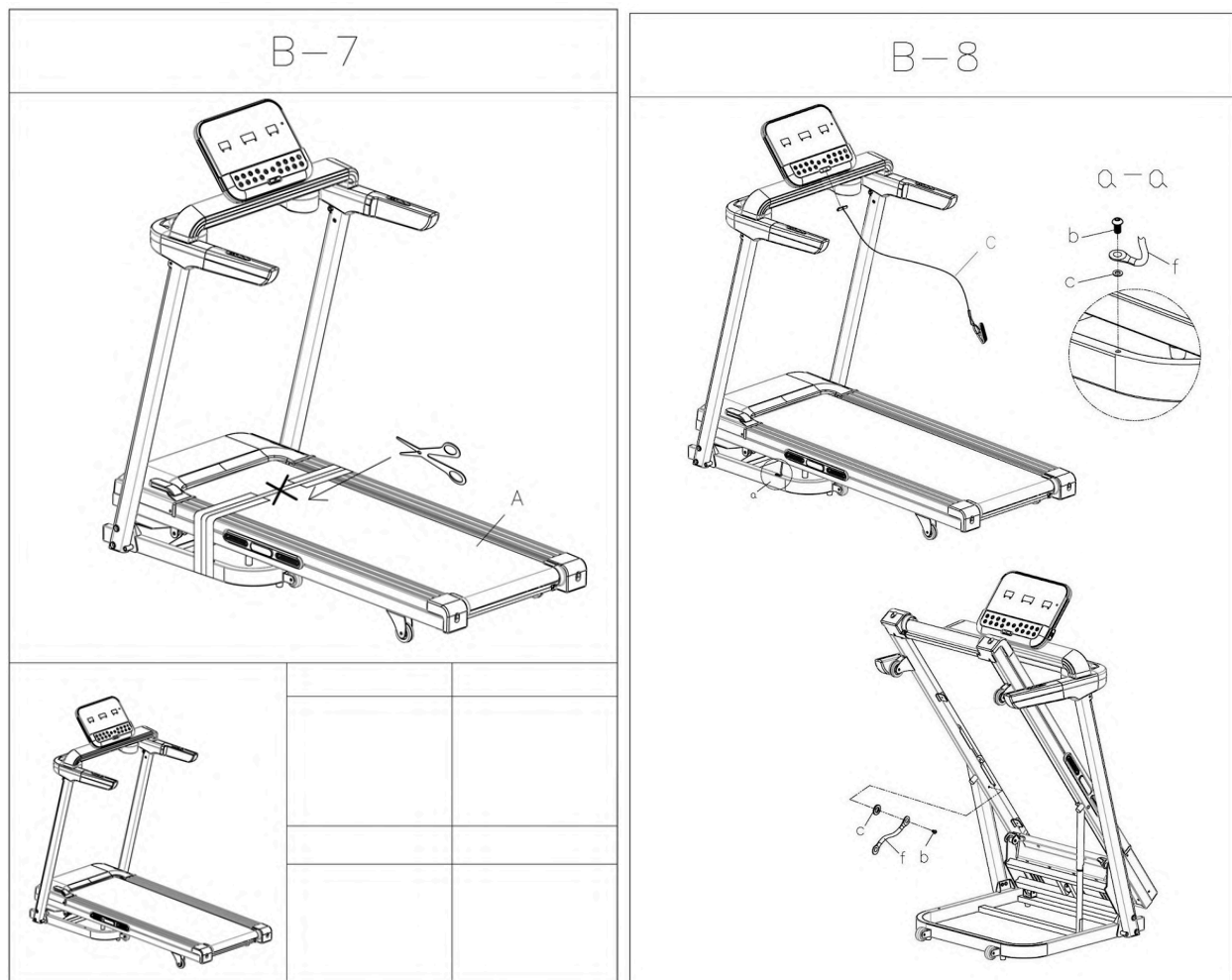
9. Видаліть захисну пластину (C15) з корпусу консолі.

B-5		B-6	
			
	<p><b>B06</b> 5#(1x)</p> 	<p><b>D20</b> <math>\varnothing 8</math>(2x)</p> 	
	<p><b>D10</b> M8*15(2x)</p> 		

10. Встановіть комп'ютер (B) у правильне місце в консолі (D) і пропустіть кабелі від комп'ютера (B) через консоль так, щоб вони виходили з нижньої частини консолі (D).
11. Прикріпіть комп'ютер (B) до консолі (D) за допомогою 2 гвинтів (D10) і шайб (D20) з використанням шестигранного ключа (B06).

12. Точно з'єднайте всі кабелі, що виходять з нижньої частини комп'ютера (B) і з консолі (D).
13. Встановіть захисну пластину (C15) на корпус консолі.

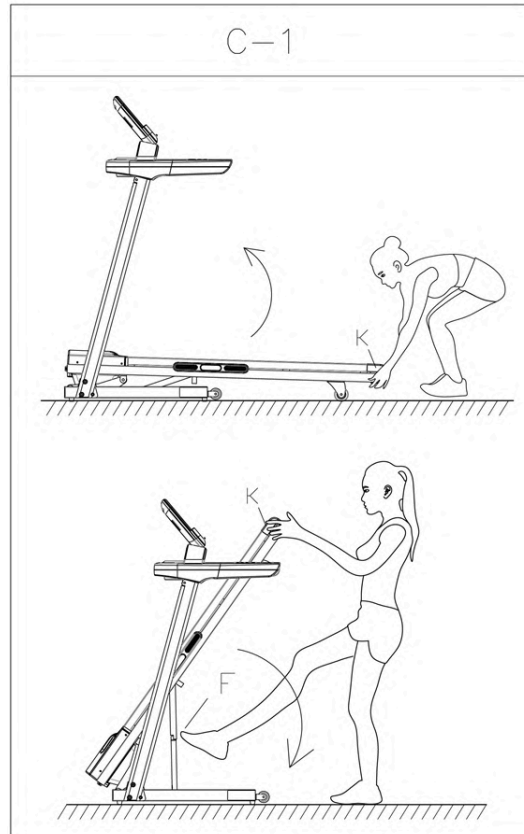




14. Видаліть стрічку, що з'єднує основу з біговою доріжкою.

15. Відкрутіть гвинт (**b**), що з'єднує основу бігової доріжки зі стрічкою (**f**), яка блокує підйом бігової доріжки, з використанням шестигранного ключа (**BO6**).
16. Підключіть живильний кабель до бігової доріжки та електричної розетки.
17. Змастіть бігову доріжку згідно з інструкцією в цьому керівництві.
18. Встановіть магнітний ключ безпеки (**D**) у слот консолі.
- ВАЖЛИВО!** Без правильного встановлення ключа (**D**) бігова доріжка не працюватиме.
19. Бігова доріжка готова до використання.

# ІНСТРУКЦІЯ З СКЛАДАННЯ



## Підняття бігової доріжки

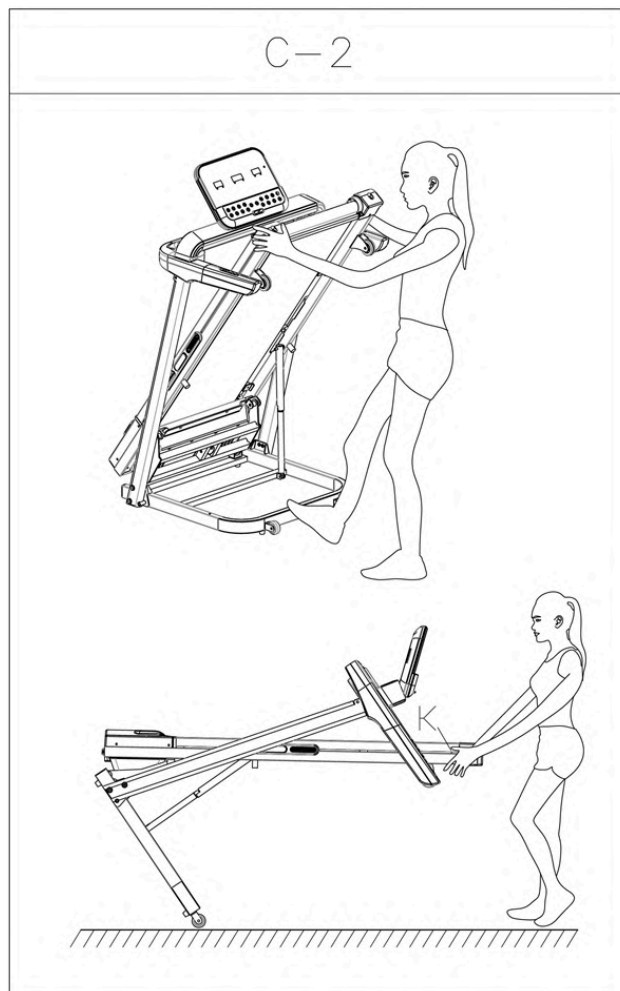
Підніміть бігову доріжку (К), поки механізм, який запобігає її падінню, не зафіксується. Ви почуєте клацання при зафіксуванні.

## Опускання бігової доріжки

1. Трохи підніміть бігову доріжку (К) і натисніть ногою на механізм (F), щоб його розблокувати.
2. Натисніть бігову доріжку (К) вниз. Бігова доріжка почне автоматично опускатися.

**УВАГА!** Переконайтеся, що під час опускання бігової доріжки поруч немає інших людей, тварин або предметів.

# ІНСТРУКЦІЯ З ПЕРЕМІЩЕННЯ



1. Підніміть бігову доріжку (**К**) згідно з інструкцією на попередній сторінці. Тримайте основу бігової доріжки ногою в місці, позначеному на малюнку.
  2. Тягнучи бігову доріжку (**К**) на себе, поверніть бігову доріжку в положення, показане на малюнку. Будьте обережні, щоб основа бігової доріжки не зміщувалася на початковій стадії обертання.
- УВАГА!** Бігова доріжка важка, тому перед переміщенням бігової доріжки переконайтеся, що ваші фізичні можливості це дозволяють.

# ІНСТРУКЦІЯ З ЕКСПЛУАТАЦІЇ



## Функції кнопок:

1. INSTANT INCLINE: Натисніть 3, 6, 9 для швидкого вибору нахилу.
2. INCLINE +: Натисніть цю кнопку, щоб збільшити нахил.
3. INCLINE -: Натисніть цю кнопку, щоб зменшити нахил.
4. PROG: Натисніть цю кнопку, щоб вибрати між 9 програмами та тестом на вміст жиру.
5. START: Натисніть цю кнопку, щоб запустити бігову доріжку.
6. INSTANT SPEED: Натисніть 3, 6, 9 для швидкого вибору швидкості.
7. STOP/PAUSE: Натисніть цю кнопку, щоб призупинити або зупинити бігову доріжку.
8. MODE: Натисніть кнопку MODE для вибору між налаштуванням ЧАСУ, ВІДСТАНІ, КАЛОРІЙ.
9. SPEED +: Натисніть цю кнопку, щоб збільшити швидкість.
10. SPEED -: Натисніть цю кнопку, щоб зменшити швидкість.

## Media HUB:

1. Сумісність та можливість підключення до додатків, таких як **FITSHOW, ZWIFT, KINOMAP** через Bluetooth.

## Функції комп'ютера:

1. **CAL./DIS.:** Показує чергування кожні 5 секунд між спаленими калоріями та пройденою відстанню.
2. **INCLINE/TIME:** Показує чергування кожні 5 секунд між нахилом та часом бігу.
3. **SPEED/PULSE:** Показує чергування між поточною швидкістю та частотою серцевих скорочень користувача. Натисніть SPEED +/-, щоб змінити швидкість пристрою. Тримайте руки на пульсових сенсорах, комп'ютер покаже значення пульсу через 5 секунд. Ці дані є орієнтовними і не можуть використовуватися як медичні дані.
4. **MODE:** Натисніть кнопку MODE, щоб увійти до налаштувань ЧАСУ, ВІДСТАНІ, КАЛОРІЙ.
  - Натисніть SPEED +/- або INCLINE +/-, щоб встановити цільове значення тренування.
  - Натисніть кнопку START, бігова доріжка запуститься через 3 секунди.
  - Натисніть SPEED +/- та INCLINE +/-, щоб налаштувати швидкість та нахил.
5. **PROGRAM:** Натисніть кнопку PROG, щоб вибрати між 9 програмами та тестом на вміст жиру.
  - 2.1. **9 вбудованих програм:** У режимі очікування натисніть кнопку PROG, консоль покаже 9 програм, виберіть одну з них.
    - Натисніть SPEED +/- або INCLINE +/-, щоб встановити час тренування.
    - Кожна програма розділена на 10 секцій; пристрій буде 3 рази сигналізувати, коли починається нова секція.
    - Натисніть SPEED +/- або INCLINE +/-, щоб змінити швидкість або нахил під час кожної секції.
    - Пристрій 3 рази сигналізує і зупиниться, коли програма закінчиться.

TIME PROG.		TIME INTERVAL= setting time/10									
		1	2	3	4	5	6	7	8	9	10
P1	SPEED	1	2	3	3	1	2	2	3	2	2
	INCLINE	2	4	3	4	3	5	4	2	5	3
P2	SPEED	1	2	3	3	2	2	3	4	2	2
	INCLINE	2	5	4	6	4	6	4	2	4	2
P3	SPEED	1	2	2	3	1	2	2	2	2	1

	INCLINE	2	5	4	5	4	5	4	2	3	2
P4	SPEED	2	2	3	3	2	2	4	6	2	2
	INCLINE	3	6	7	5	8	5	9	6	4	3
P5	SPEED	1	2	4	3	2	2	4	5	2	1
	INCLINE	3	6	7	5	8	6	7	6	4	3
P6	SPEED	2	2	6	2	3	4	2	2	2	1
	INCLINE	2	8	6	4	5	9	7	5	4	3
P7	SPEED	4	5	6	6	9	9	10	12	6	3
	INCLINE	2	6	7	4	4	7	4	2	4	2
P8	SPEED	3	5	4	4	3	4	4	3	3	2
	INCLINE	2	4	6	8	7	8	6	2	3	2
P9	SPEED	3	5	3	4	2	3	4	2	3	2
	INCLINE	2	4	5	5	6	5	6	3	3	2

**2.2. Тест на вміст жиру:** У режимі очікування натисніть кнопку PROG, доки не дійдете до FAT.

- Натисніть кнопку MODE, щоб ввести інформацію.
- Встановіть значення за допомогою SPEED +/- або INCLINE +/- від F-1 до F-4 (F-1 СТАТЬ, F-2 ВІК, F-3 ЗРІСТ, F-4 ВАГА).
- Натисніть кнопку MODE, щоб увійти до F-5 (F-5 ТЕСТ НА ВМІСТ ЖИРУ), тримайте руки на пульсових сенсорах, консоль покаже ваш вміст жиру через 3 секунди.
- Значення вмісту жиру є лише орієнтовними і не представляють медичних даних.

F-1	Стать	01 чоловік	02 жінка
F-2	Вік	10-99	
F-3	Зріст	100-200 cm	
F-4	Вага	20-150 kg	
F-5	Вміст жиру	≤ 19	Недостатня вага
		=(20---25)	Нормальна вага
		=(26---29)	Надмірна вага
		≥ 30	Ожиріння

## ДОДАТКОВІ ФУНКЦІЇ:

### Hand Pulse Function (Функція сенсора пульсу):

Тримайте сенсор пульсу приблизно 5 секунд, дисплей покаже значення пульсу користувача. Ці дані є орієнтовними і не можуть вважатися медичними даними.

### Lubrication Remind Function (Функція нагадування про змазування):

Цей пристрій має функцію нагадування про змазування. Після загального пробігу 300 км ваш біговий пояс потребує змазування. Система буде нагадувати про це кожні 10 секунд сигналом, а вікно

дисплея покаже «OIL». Це означає, що біговий пояс потребує змазування. Змастіть біговий пояс згідно з наступним розділом цього посібника. Після завершення змазування утримуйте кнопку «STOP» протягом 3 секунд, і звуковий сигнал системи вимкнеться.

#### **Energy Saving Function (Функція енергозбереження):**

Для зменшення споживання енергії бігова доріжка переходить у режим очікування, якщо протягом 10 хвилин не виконується жодна дія. Дисплей покаже нагадування перед переходом у режим очікування. Після переходу пристрою у режим очікування витягніть ключ безпеки та вставте його знову, щоб розбудити систему.

#### **Error Reminding (Виявлення помилок):**

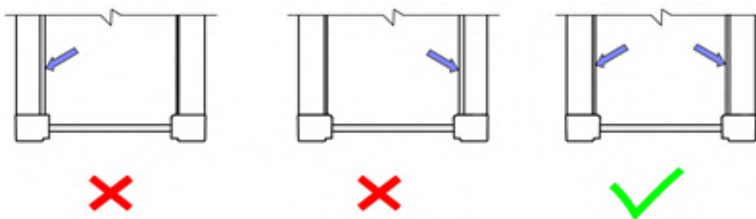
Якщо бігова доріжка відображає повідомлення про помилку, спочатку прочитайте розділ РІШЕННЯ ПРОБЛЕМ у посібнику.

## ДОГЛЯД ТА ОБСЛУГОВУВАННЯ

Чищення допомагає продовжити термін служби та поліпшити продуктивність вашої бігової доріжки. Тримайте пристрій у чистоті та регулярно видаляйте пил з компонентів. Очищайте обидві сторони бігової доріжки, щоб запобігти накопиченню пилу під поясом. Тримайте бігове взуття чистим, щоб бруд з ваших взуття не зношував бігову дошку та пояс. Очищайте поверхню бігової доріжки чистою вологою тканиною.

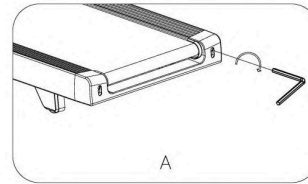
1. Щоб краще доглядати за біговою доріжкою та продовжити її термін служби, рекомендується вимикати пристрій на 10 хвилин кожні 2 години використання і завжди повністю вимикати його, коли не використовуєте.
2. Розслаблений біговий пояс може призвести до ковзання бігуна під час бігу, тоді як надто натягнутий пояс знижує ефективність двигуна і збільшує тертя між роликом і біговими поясами. Оптимальне натягнення бігового пояса досягається, коли його можна витягнути вручну на 50-75 мм від деки.

### Вирівнювання бігового пояса:

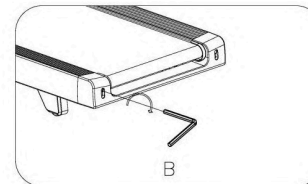


Покладіть бігову доріжку на рівну поверхню та налаштуйте швидкість на 6-8 км/год, щоб перевірити, чи правильно вирівняний пояс. Пояс вирівняний, якщо відстані з правого і лівого боків до бокових елементів однакові.

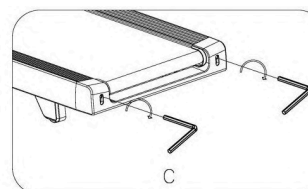
1. Якщо біговий пояс зміщується праворуч, поверніть регулювальний гвинт праворуч на  $\frac{1}{4}$  оберту за годинниковою стрілкою, потім поверніть лівий регулювальний гвинт на  $\frac{1}{4}$  оберту проти годинникової стрілки. Якщо пояс не зміщується, повторіть цей крок, поки він не буде вирівняний. Дивіться зображення А.



2. Якщо біговий пояс зміщується ліворуч, поверніть регулювальні гвинти ліворуч на  $\frac{1}{4}$  оберту за годинниковою стрілкою, потім поверніть правий регулювальний гвинт на  $\frac{1}{4}$  оберту проти годинникової стрілки. Якщо пояс не зміщується, повторіть цей крок, поки він не буде вирівняний. Дивіться зображення В.



3. З часом біговий пояс послаблюється. Щоб його натягнути, поверніть ліві та праві регулювальні гвинти на один повний оберт за годинниковою стрілкою, перевірте натягнення пояса. Повторюйте цей процес, доки пояс не досягне правильного натягнення. Переконайтеся, що обидві сторони налаштовані рівномірно, щоб забезпечити правильне вирівнювання пояса. Дивіться зображення С.



## ЗМАЩЕННЯ БІГОВОЇ ДОРОЖКИ

**Важлива примітка:** Перед першим використанням ви повинні змастити бігову доріжку.

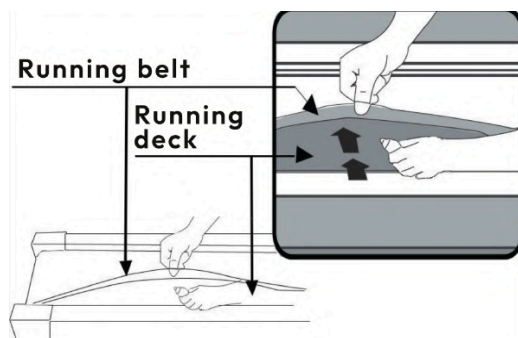
**Змащення бігової дошки та бігового пояса:** Змащення бігової дошки та пояса є необхідним, оскільки тертя між ними впливає на термін служби та функціональність бігової доріжки, тому рекомендується регулярно перевіряти стан дошки та пояса.

**Попередження:** Завжди від'єднуйте бігову доріжку від електромережі перед чищенням, змащенням або ремонтом пристрою.

### Як змащувати:

1. Підніміть біговий пояс з одного боку та нанесіть мастило на бігову дошку. Повторіть цей процес для іншого боку бігового пояса. Переконайтеся, що мастило досягло середини бігового пояса. Увімкніть бігову доріжку та налаштуйте швидкість на 3 км/год на 5 хвилин, щоб рівномірно розподілити мастило. Правильна кількість мастила для одного змащування становить приблизно 4 мл, тобто 20 мл туби, що міститься в комплекті, повинно вистачити на 5 змащувань.
2. Рухомі частини повинні обертатися вільно та тихо. Нерівності рухомих частин вплинуть на безпеку пристрою. Регулярно перевіряйте та затягуйте гвинти.
3. Щоб краще обслуговувати бігову доріжку та продовжити її термін служби, рекомендується регулярно проводити технічне обслуговування.





### Рекомендований графік змащування:

Легке використання (менше 3 годин/тиждень) - кожні шість місяців

Середнє використання (3-5 годин/тиждень) - кожні три місяці

Інтенсивне використання (більше 5 годин/тиждень) - кожні два місяці

## ТЕХНІЧНІ ДАНІ

Назва моделі:	Gymio Run Flex
Джерело живлення:	AC 220-240V 50-60Hz
Тип двигуна:	DC
Максимальна потужність:	1.75 HP (1290 W)
Тривала потужність:	1.0 HP (750 W)
Регулювання нахилу:	Автоматичне електронне керування
Рівні нахилу:	12 рівнів - максимальний нахил 10%
Бігова поверхня:	132 x 42 cm
Вага нетто:	58 kg
Вага брутто:	67 kg
Клас використання:	Клас H
Клас точності:	Клас A
Швидкість:	0.8 - 14 km/h
Стандарти та сертифікати:	CE, EN ISO 20957-1:2013, EN 957-6:2010 + A1:2014
Призначення:	Електрична бігова доріжка для домашнього використання
Максимальна вага користувача:	100 kg

## РІШЕННЯ ПРОБЛЕМ

ПРОБЛЕМА	МОЖЛИВА ПРИЧИНА	ВИРІШЕННЯ ПРОБЛЕМИ
Бігова доріжка не запускається	Не підключено до живлення.	Підключіть шнур живлення до розетки.
	Ключ безпеки не вставлено.	Вставте ключ безпеки.
Бігова доріжка не вирівняна	Неправильне натягнення бігового пояса з лівого або правого боку бігової дошки.	Вирівняйте біговий пояс відповідно до цієї інструкції.
Комп'ютер не працює	Кабелі від комп'ютера та плати консолі не правильно підключені.	Перевірте кабельні з'єднання від комп'ютера до плати керування.
	Трансформатор пошкоджений.	Якщо трансформатор пошкоджений, зверніться до служби підтримки клієнтів.
E01 або E13: Помилка зв'язку	Кабелі від комп'ютера та плати консолі не правильно підключені.	Перевірте кабельні з'єднання від комп'ютера до плати керування. Якщо підключення правильне і проблема залишається, зверніться до служби підтримки клієнтів.
E02: Захист від перевантаження	Вхідна напруга нижче 50% від необхідної напруги.	Перевірте, чи правильна вхідна напруга.
E03: Відсутній сигнал датчика швидкості	Сигнал датчика швидкості не може бути прийнятий платою керування.	Перевірте, чи правильно підключено кабель датчика. Якщо підключення правильне і проблема залишається, зверніться до служби підтримки клієнтів.
E04: Помилка нахилу	Двигун нахилу пошкоджений або кабель двигуна нахилу не правильно підключений або пошкоджений.	Перевірте всі кабельні з'єднання, виконані під час першого монтажу, і якщо проблема залишається, зверніться до служби підтримки клієнтів.
E05: Захист від перевантаження струмом (система самозахисту)	Вхідна напруга занадто низька або занадто висока.	Перезапустіть бігову доріжку. Перевірте вхідну напругу, щоб переконатися, що вона правильна.
	Рухома частина бігової доріжки заблокована, через що двигун не може правильно обертатися.	Перевірте рухомі частини бігової доріжки, щоб переконатися, що вони правильно функціонують. Переконайтеся, що вага користувача не перевищує допустиму межу.
E06: Помилка двигуна	Кабель двигуна не підключено або двигун пошкоджений.	Перевірте всі кабельні з'єднання, виконані під час першого монтажу, і якщо проблема залишається, зверніться до служби підтримки клієнтів.
E08: Помилка консолі	Консоль не підключена.	Перевірте, чи всі кабельні з'єднання правильно підключені. Якщо підключення правильне і проблема залишається, зверніться до служби підтримки клієнтів.
E10: Помилка двигуна	Двигун пошкоджений або рухома частина бігової доріжки заблокована, через що двигун не може правильно обертатися.	Перевірте рухомі частини бігової доріжки, щоб переконатися, що вони правильно функціонують. Переконайтеся, що вага користувача не перевищує допустиму межу.

- **Producer / Importer:**  
Kraina OZE Sp. z o.o., Zmigrodzka 242D, 51-131 Wroclaw, Poland  
VAT Number / NIP EU: PL8952198367  
EORI: PL895219836700000  
BDO: 000159581  
[gymio@gymiosport.com](mailto:gymio@gymiosport.com)  
Phone: +48 71 727 62 91
- **Producent / Importer:**  
Kraina OZE Sp. z o.o., Zmigrodzka 242D, 51-131 Wrocław, Polska  
NIP: 8982054851, NIP EU: PL8952198367  
EORI: PL895219836700000, BDO: 000159581  
[gymio@gymiosport.com](mailto:gymio@gymiosport.com)  
Telefon: +48 71 727 62 91
- **Hersteller / Importeur:**  
Kraina OZE Sp. z o.o., Zmigrodzka 242D, 51-131 Breslau, Polen  
USt-IdNr.: 8982054851, EU-USt-IdNr.: PL8952198367  
EORI: PL895219836700000, BDO: 000159581  
[gymio@gymiosport.com](mailto:gymio@gymiosport.com)  
Telefon: +48 71 727 62 91
- **Výrobce / Dovožce:**  
Kraina OZE Sp. z o.o., Zmigrodzka 242D, 51-131 Vratislav, Polsko  
DIČ EU: PL8952198367  
EORI: PL895219836700000, BDO: 000159581  
[gymio@gymiosport.com](mailto:gymio@gymiosport.com)  
Telefon: +48 71 727 62 91
- **Výrobca / Dovožca:**  
Kraina OZE Sp. z o.o., Zmigrodzka 242D, 51-131 Vratislav, POĽSKO  
IČ EU: PL8952198367  
EORI: PL895219836700000, BDO: 000159581  
[gymio@gymiosport.com](mailto:gymio@gymiosport.com)  
Telefón: +48 71 727 62 91
- **Виробник / Імпортер:**  
Kraina OZE Sp. z o.o., Zmigrodzka 242D, 51-131 Вроцлав, ПОЛЬЩА  
ІПН: PL8952198367  
EORI: PL895219836700000, BDO: 000159581  
[gymio@gymiosport.com](mailto:gymio@gymiosport.com)  
Телефон: +48 71 727 62 91